



SERVICE MANUAL

TURN5

MODEL NO.: TURN5

Contents

<i>Specification</i>	1-2
<i>Block Diagram</i>	3
<i>Packing View</i>	4
<i>Packing View Part List</i>	5
<i>Point To Point Wiring Diagram</i>	6
<i>Exploded View</i>	7
<i>Exploded View Part List</i>	8-10
<i>Electrical Part List</i>	11-15
<i>Schematic Diagram</i>	16-19
<i>Printed Circuit Board Diagram</i>	20-26
<i>IC Block Diagram</i>	27-31

1. APPLICATION:

This specification applies to the Professional turntable TURN5

2. STANDARD TEST CONDITION:

2-1 Ambient Temperature 23 +/- 2 degC

2-2 Relative Humidity 65% +/- 5%

NOTE: Measurements can be carried out between 5 degC to 35 degC and 45% to 85% relative humidity.

3. TURNTABLE SECTION:

3-1 Type	3-speed full manual
3-2 Motor	16pole, 3phase, brushless DC motor
3-3 Driving Method	Direct drive
3-4 Turntable Platter	332mm dia. Aluminum die-cast
3-5 Speeds	33 ¹ / ₃ and 45 rpm and 78rpm
3-6 Wow and Flutter	Less than 0.1% WRMS (JIS WTD) with 33 ¹ / ₃ rpm
3-7 S/N Ratio	More than 55dB (DIN-B)
3-8 Starting Torque	More than 4.5 kgf.cm
3-9 Braking System	Electronic brake
3-10 Time for Speed Change	Less than 0.2 sec. from 33 ¹ / ₃ to 45 rpm. Less than 0.2 sec. from 45 to 33 ¹ / ₃ rpm. Less than 0.5 sec. from 33 ¹ / ₃ to 78 rpm
3-11 Channel Separation	More than 15dB
3-12 Channel Balance	Within 2.5dB at 1KHz

4. Cartridge: (Ortofon 2M RED PNP)

4-1 Output Voltage	5,5 mV at 1000 Hz, 5cm/sec
4-2 Channel Separation	More than 21dB
4-3 Channel Balance	1.5dB at 1KHz
4-4 Tracking Force	1.8. ±0.2 g

5. TONEARM SECTION:

5-1 Type	Static balanced S-shaped tonearm
5-2 Effective Arm Length	230mm
5-3 Overhang	15mm
5-4 Tracking Error Angle	Less than 3 degree
5-5 Applicable Cartridge Weight	3.5~8.5g (including headshell is 13~18g)
5-6 Anti-skating Range	0-3g
5-7 High of cue (first track)	7.5~10mm
5-8 Descend of cue	1~3sec

6. GENERAL SECTION:

6-1 Power Supply	AC115/230V, 60/50Hz
6-2 Power Consumption	9Watts
6-3 Dimensions	458(W) x 368.3(D) x 162.4 (H) mm
6-4 Weight	12.8Kg

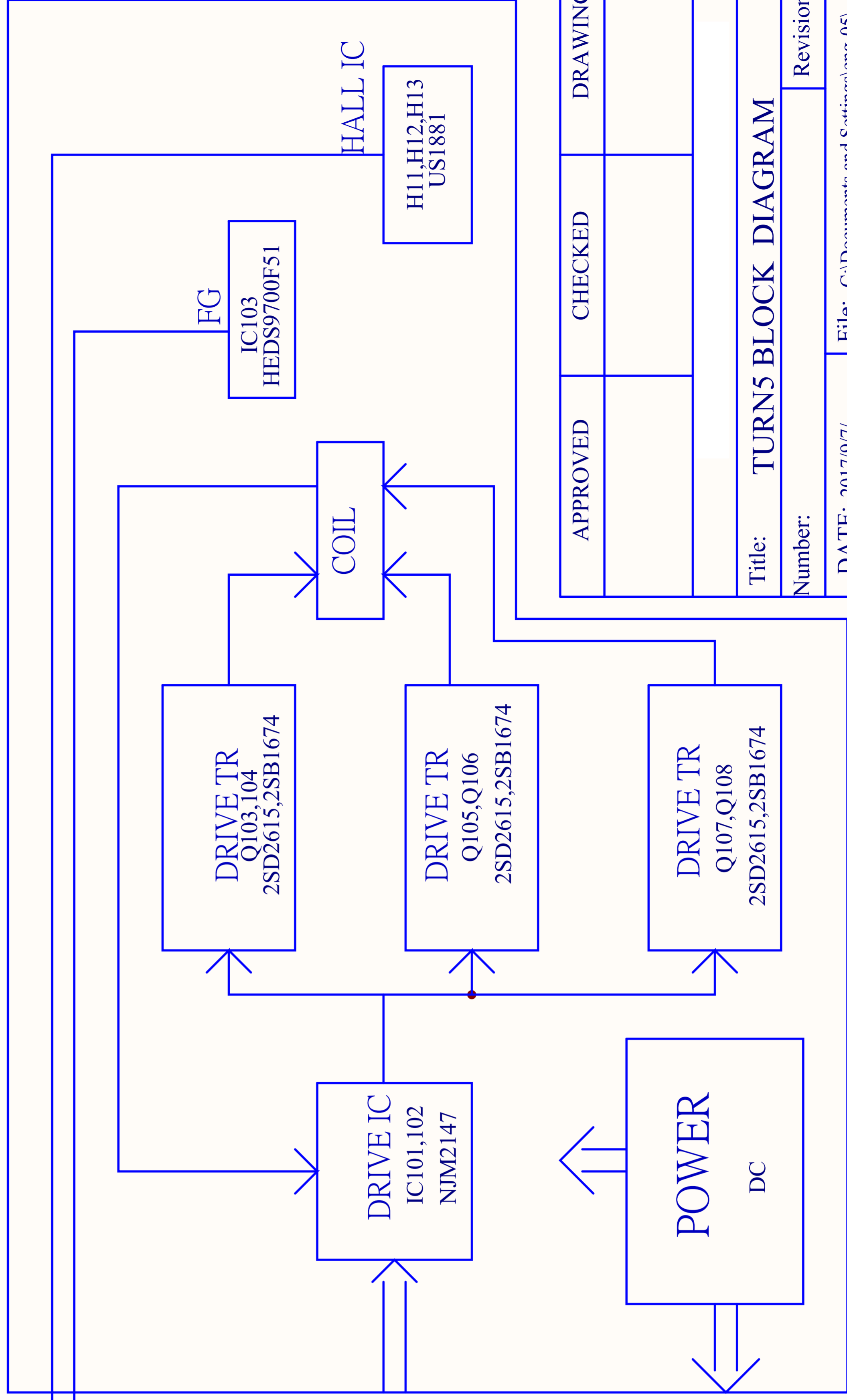
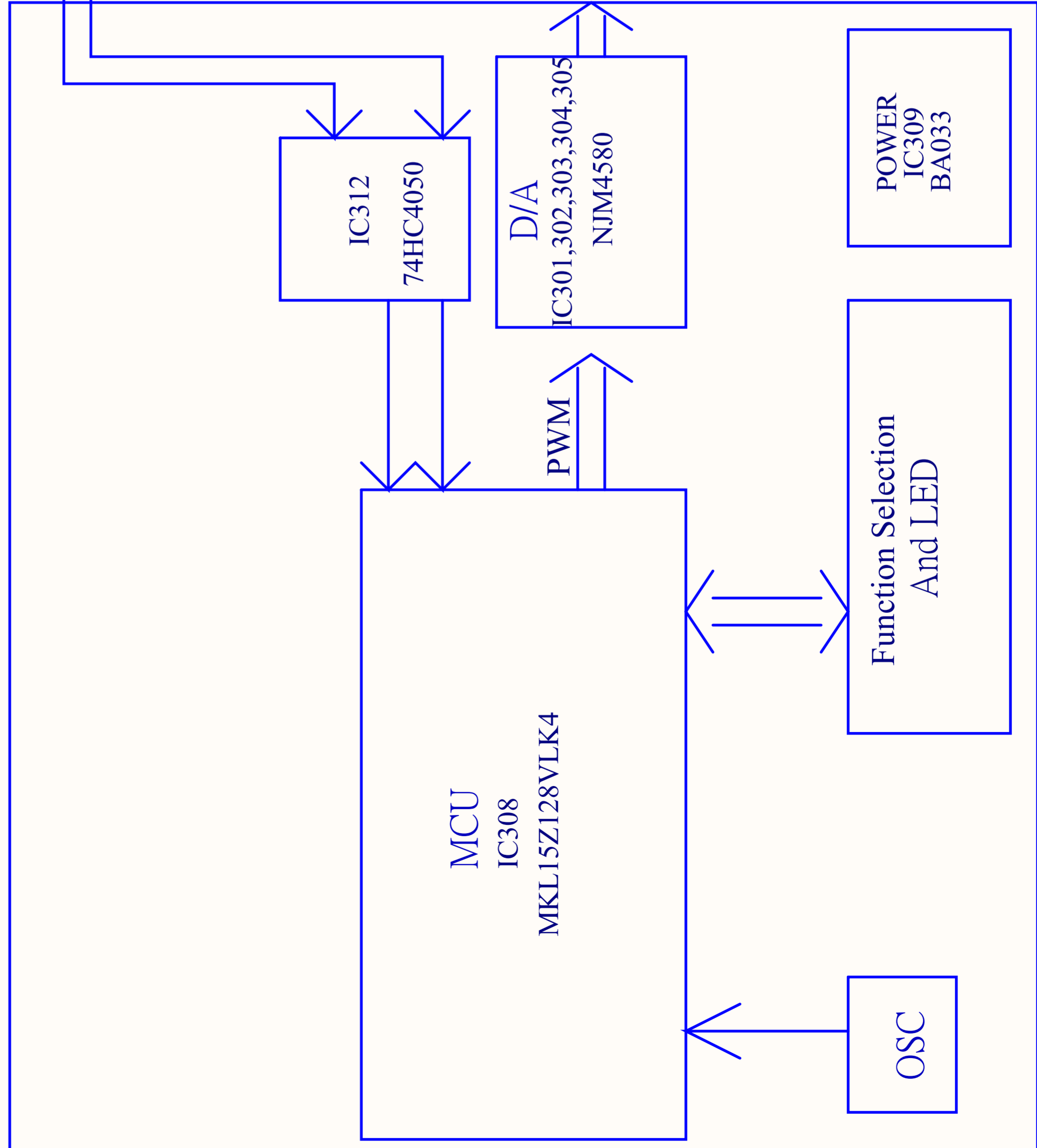
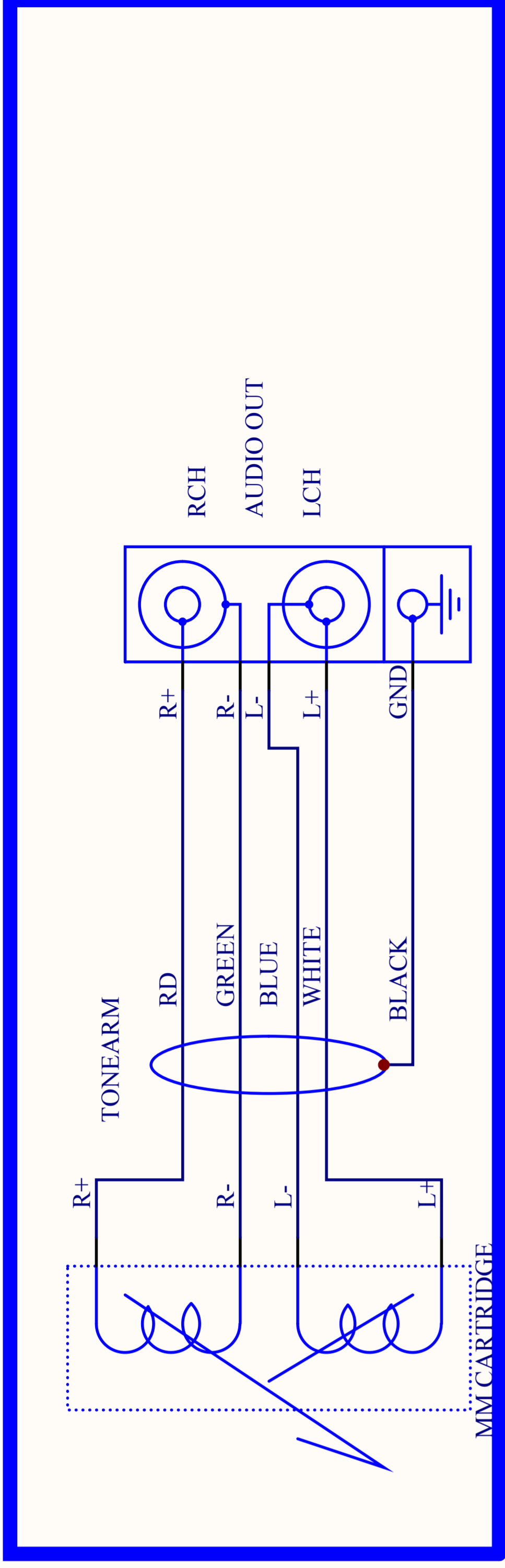
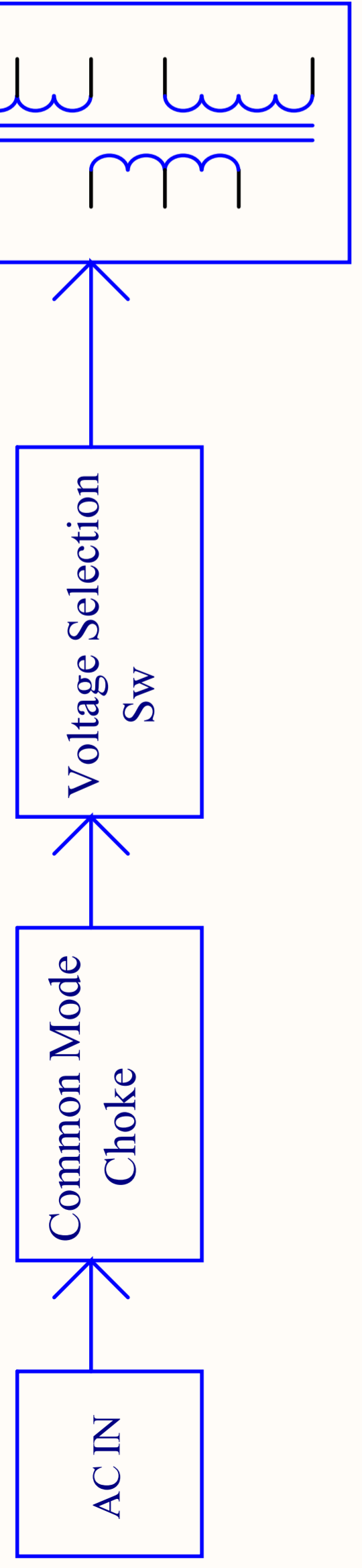
7. ACCESSORIES SUPPLIED:

Instruction manual x 1	Dust cover x 1	Hinguex 2
Counter weight x 1	Platter x1	Rubber Mat x 1
AC power cord x 1	2P RCA Cord	VFS Cartridge x 1

8. NOTES:

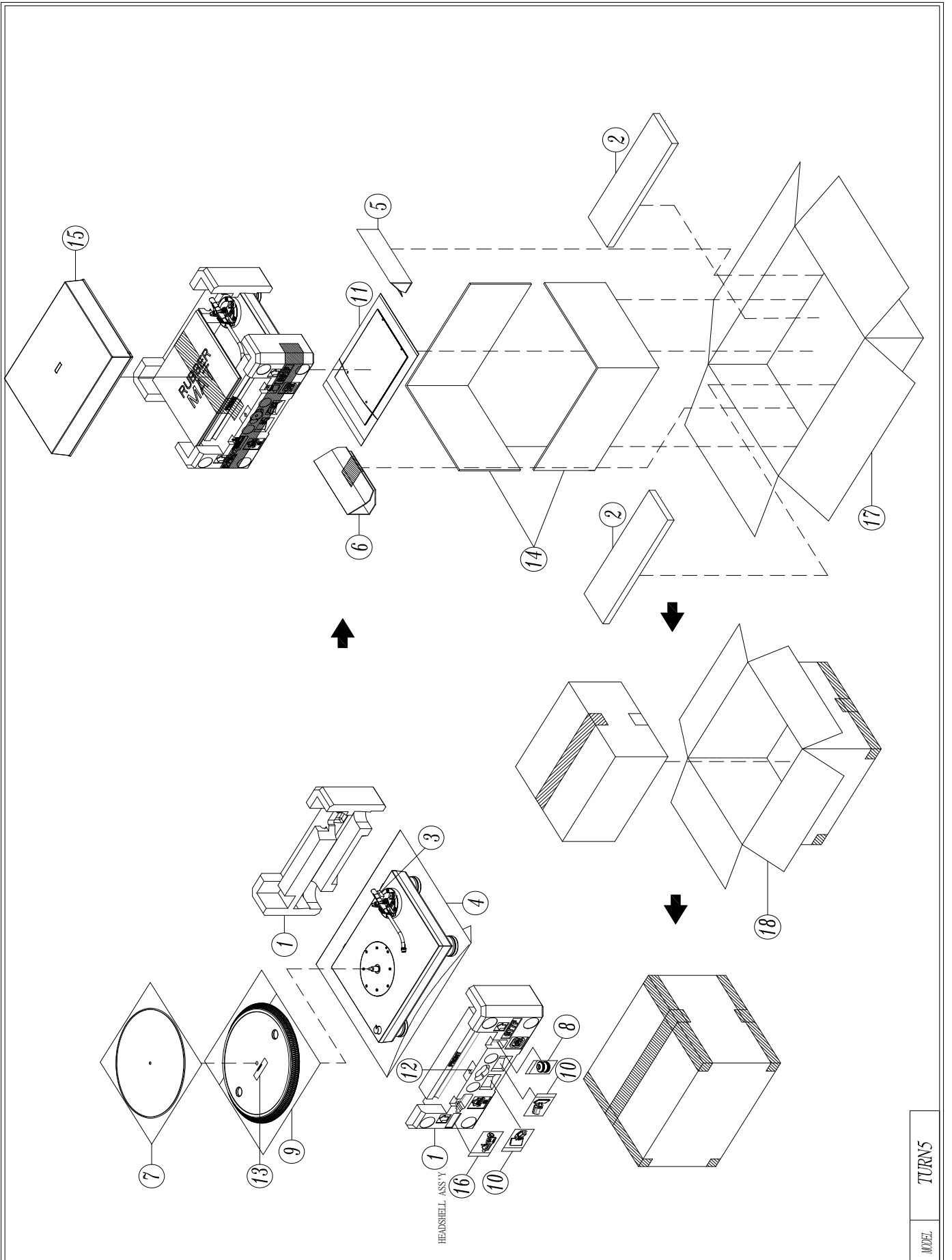
- (1) The specifications are subject to change to any improvement by negotiations in advance.
- (2) The parts are subject to change to any improvement within the range of the specifications.

TURN5 Block Diagram



APPROVED	CHECKED	DRAWING
Title: TURN5 BLOCK DIAGRAM		
Number:		Revision: 1
DATE: 2017/9/7/	File: C:\Documents and Settings\eng-05\	TURN5

Packing View



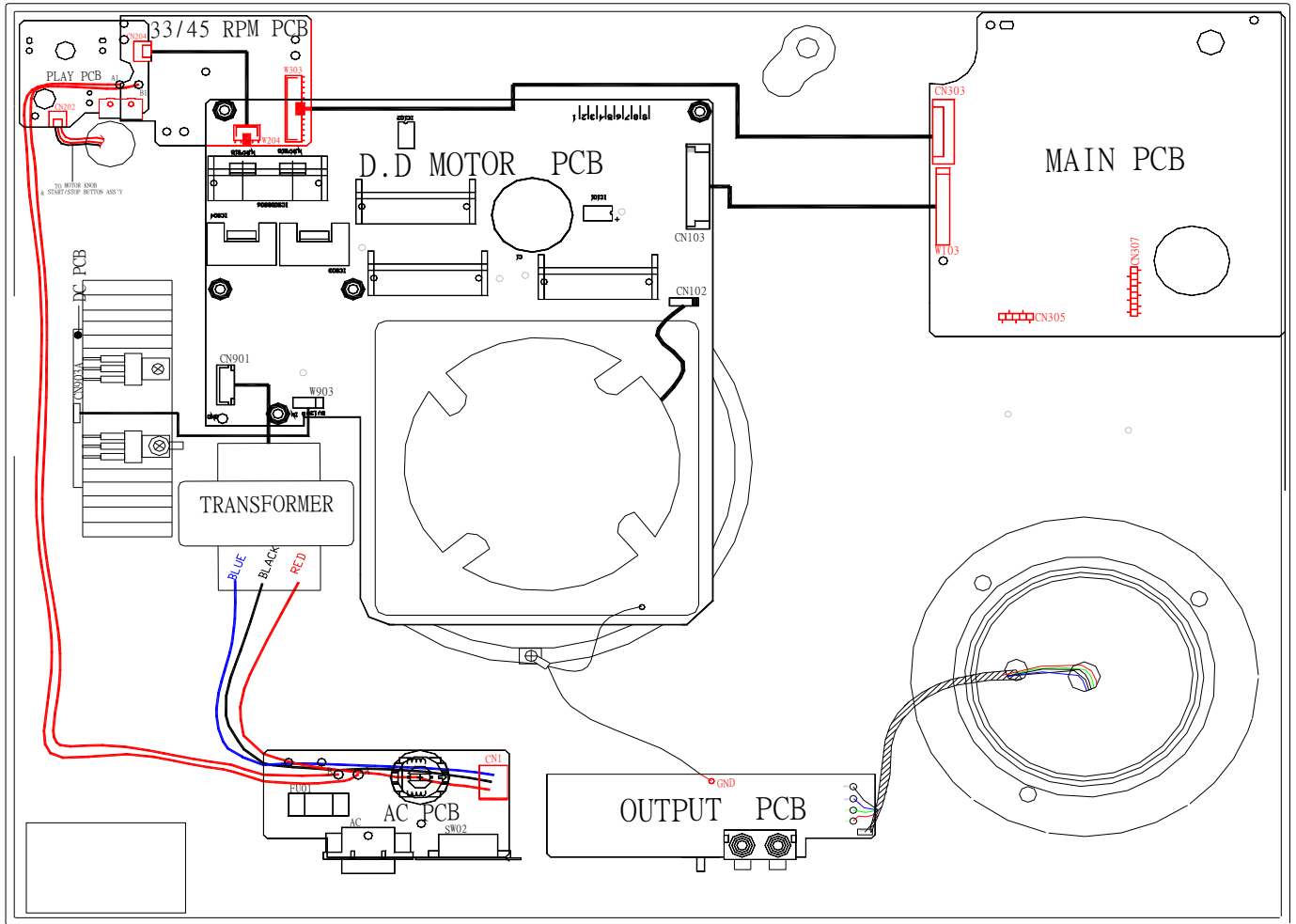
TURN5

MODEL

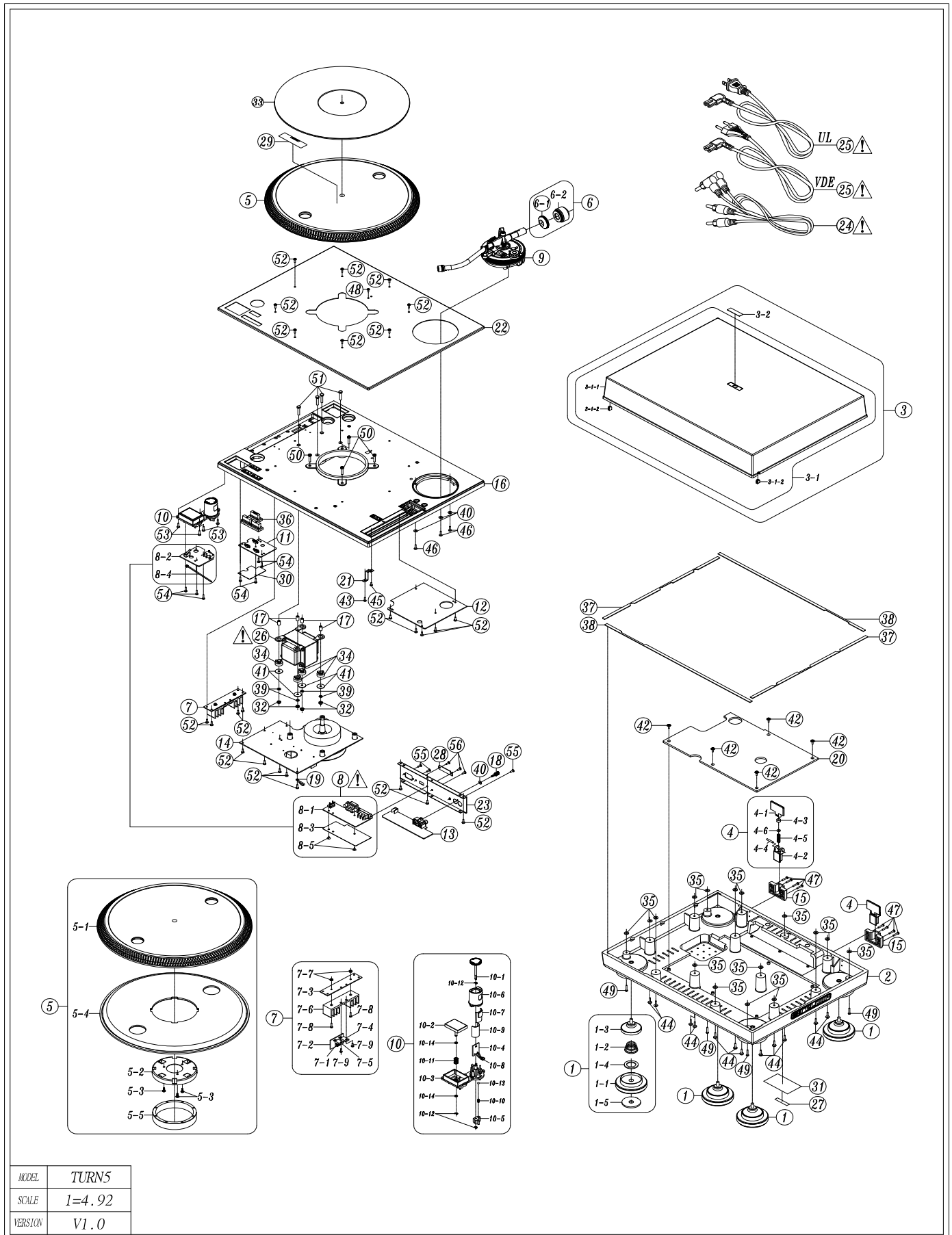
Packing View Part List

REF NO.	DESCRIPTION	PART NO.	Q'TY	REMARK
1	STYROFOAM(EPS)	506-T5-712	2	
2	POLYFOAM	506-500-386	2	
3	CUSHION FOR TONEARM(20*20*28t)	612-ST150-159	1	
4	SOFT BAG	509-RP8-329	1	
5	2P RCA SIGNAL WIRE	408-DJ5500-057	1	
	POLYBAG(PE,120*250mm)	505-B605-017	1	
	SPACER FOR CORD(215*240mm)	507-DJ5500-2441	1	
6	AC POWER CORD(L=1900+/-50mm VDE)	409-DJ5500F-120	1	Germany
	AC POWER CORD(UL NISPT-2 18AWG*2 TYPE L=1900 (BLACK)90°)	409-RP8-230	1	USA
	SPACER FOR CORD(215*240mm)	507-DJ5500-2441	1	
7	RUBBER MAT PACKING ASS'Y	705-DJ1900-078	1	
	SPACER FOR BUBBER MAT	507-PNTT-3699	1	
	SLIPMAT	604-DJ1900-073	1	
	POLYBAG FOR SLIPMAT(310*400mm)	505-DJ2500H-092	1	
8	COUNTER WEIGHT ADJUSTOR ASS'Y	702-T5-104	1	
	POLYBAG(70*95mm)	505-B300-007	1	
9	ALUMINIUM PLATTER ASS'Y	702-RP7A3-032	1	
	SOFT SHEET	509-500-140V	1	
	POLYBAG FOR TURNTABLE(356*457mm)	505-DJ2500H-001	1	
10	HINGE ASS'Y	701-5500-5405	2	
	POLYBAG(70*95mm)	505-B300-007	2	
11	I/B ASS'Y	701-TURN5A-5812	1	
	I/B	502-TURN5A-3705	1	
	PE BAG	505-DJ2500H-014	1	
12	APPENDAGE LABEL(64*24mm,t=0.1mm)	501-BJ2300E-1190	1	
13	LABEL	501-ST150-1644	1	
14	L PASREBOARD	507-T5-3696	2	
15	DUST COVER ASS'Y	701-T5-5388	1	
16	HEADSHELL ASS'Y		1	
	POLYBAG(70*95mm)	505-B300-007	1	
17	GIFT BOX	507-TURN5A-3674	1	
18	CARTON	507-TURN5A-3675	1	

Point to Point Wiring Diagram



Exploded View



MODEL	TURN5
SCALE	1=4.92
VERSION	V1.0

Exploded View Part List

REF NO.	DESCRIPTION	PART NO.	Q'TY	REMARK
1	FOOT & WASHER ASS'Y	701-DJ3500-2834	4	
1-1	PLASTIC FOOT (ABS HOT STAMP)	100-DJ3110-590B	4	
1-2	SPRING FOR FOOT	603-DJ3500-243	4	
1-3	RUBBER FOOT(BLACK)	604-DJ1900-075	4	
1-4	CUSHION FOR FOOT SPRING (EVA BLACK)	612-DJ1900-017	4	
1-5	CUSHION FOR FOOT(PORON, ϕ 39.5*11*3t)	612-ST150-153	4	
2	BASE	701-T5A-5309	1	
3	DUST COVER ASS'Y	701-T5-5388	1	
3-1	DUST COVER & RUBBER ASS'Y	701-RP8-5389	1	
3-1-1	DUST COVER	100-RP8-3049	1	
3-1-2	RUBBER	604-DJ3000-150	2	
3-2	DECORATIVE PLATE FOR DUST COVER	501-T5-1235	1	
4	HINGE ASS'Y	701-5500-5405	2	
4-1	HINGE(TOP)	100-DJ3000-1348	2	
4-2	HINGE(BOTTOM)	100-DJ3000-1349A	2	
4-3	HINGE SPRING ADAPTOR	300-DJ3000-552	2	
4-4	PIN	300-DJ3000-586	2	
4-5	SPRING(SWP-B, ϕ 1.4,L=26)	603-500-399	2	
4-6	MUTE CUSHION(EVA BLACK)	612-DJ1900-013	2	
5	ALUMINUM PLATTER ASS'Y	702-RP7A3-032	1	
5-1	ALUMINIUM PLATTER	200-RP7A3-317	1	
5-2	MAGNET BASE	300-ST150-949	1	
5-3	SCREW(SAE1018,BTB, ϕ 3*L8)	602-DM3000-270	3	
5-4	RUBBER SLIPMAT	604-DJ5500-234	1	
5-5	MAGNET PLASTIC(TP-F26S, ϕ 94* ϕ 80*17mm)	613-ST150-013V	1	
6	COUNTER WEIGHT ADJUSTOR ASS'Y	702-T5-104	1	
6-1	INDICATOR	100-T5-3166	1	
6-2	COUNTERWEIGHT RING	200-T5-831	1	
7	DC PCB ASS'Y	704-RP8-A648	1	
7-1	4P SOCKET(CKM2501WV-4P 180°WHITE)	404-HV3500K-629A	1	
7-2	DC PCB(BARE,94VO,98*116.7*1.6t)	405-TT300-753	1	
7-3	HEAT SINK PCB(BARE)	405-RP8-3161	1	
7-4	IC(NJM-7805FA,TO-220F)	417-KC730-123	1	
7-5	IC(NJM-7812FA,TO-220F)	417-BJ1900L-231	1	
7-6	HEAT SINK(6063-T5,84*24*24.5,SILVER)	425-DJ3000-023	1	
7-7	NUT(M3*P0.5,2.5t)	601-A100-004	2	
7-8	SCREW(M3*9)	602-DJ1900-148	2	
8	SCREW(SAE1018,BTP, ϕ 3*L7)	602-DJ3000-274	2	
8-1	AC PCB ASS'Y	704-RP8-A656	1	
8-2	PLAY PCB ASS'Y	704-RP7-A745	1	
8-3	SEGREGATE SHEET FOR AC PCB	501-RP8-2591	1	
8-4	CABLE TIE(CV-075,WHITE,L=78mm)	504-S100-004	1	
8-5	CANOE CLIPS(MB-1S,WHITE,H=6.1mm)	504-HF6011-5011	2	
9	TONE ARM ASS'Y	704-T5-B691	1	
10	MOTOR KNOB & START/STOP BUTTON ASS'Y	704-T5-B692	1	

Exploded View Part List

REF NO.	DESCRIPTION	PART NO.	Q'TY	REMARK
10-1	POWER KNOB & SHAFT ASS'Y	701-T5-2832	1	
10-2	STOP/START BUTTON	701-T5-5310	1	
10-3	MAIN BUTTON BASE	701-RP8-5311S	1	
10-4	LED PCB ASS'Y	704-RP8-A659	1	
10-5	TUNING SHAFT(POWER)	100-DJ2500-1292	1	
10-6	SPOTLIGHT HOLDER (ABS,SELVER)	100-5500P1-2052	1	
10-7	ATTACHMENT LENS	100-ST150-2053	1	
10-8	3P 2.0 CONNECTOR WIRE(L=45mm,AWM1007,AWG26)	404-RP8-3815	1	
10-9	TRANSPARENT SHEET(PC,31*29.5*0.1t)	501-ST150-1629	1	
10-10	SPRING	603-DJ3110-230	1	
10-11	SPRING FOR START/STOP BUTTON	603-DJ3500-242	1	
10-12	E-RING WASHER(ϕ 7*3* ϕ 3*0.6t)	606-F200-011	3	
10-13	STEEL BALL	607-B600-002	1	
10-14	SPACER FOR NOISE ELIMINATION	612-ST150-150	2	
11	33/45 RPM PCB ASS'Y	704-RP8MK2-B694	1	
12	MAIN PCB ASS'Y	704-TURN5-B702	1	
13	OUTPUT PCB ASS'Y	704-TURN5-B704	1	
14	D.D. MOTOR ASS'Y	704-TURN5-B709	1	
15	HINGE SLIDE	100-DJ3000-1350	2	
16	CHASSIS	100-T5A-3043B	1	
17	COVER FOR TRANSFORMER	200-ST150-332	4	
18	GROUND TERMINAL	200-GND-642	1	
19	LOCKING CABLE CLIP(SPTE, ϕ 7.6,L=35.6mm,0.6t)	300-HM510B-224B	1	
20	PLATE FOR BOTTOM BASE(SECC,4t)	300-RP8MK2-967B	1	
21	GROUND PLATE	300-DJFA-1814	1	
22	FRONT PANEL	300-T5-2084B	1	
23	BACK BOARD	300-T5-2085D	1	
24	2P RCA CORD(L=1550mm)	408-DJ5500-057	1	
25	AC POWER CORD(L=1900mm,VDE TYPE,90°)	409-DJ5500F-120	1	Germany
	POWER CORD(L=1900mm,UL TYPE,90°)	409-RP8-230	1	USA
26	TRANSFORMER(AC115/230V,50/60Hz)	411-RP8-898	1	
27	LABEL(BARE,36*8mm,t=1.2mm)	501-DV300-1067	1	
28	PROTECTIVE SHEET	501-QFX19-1515	1	
29	LABEL(68.5*19.2mm,t=0.08mm)	501-ST150-1644	1	
30	SEGREGATE SHEET(50*35.5*0.5t)	501-RP8-2607	1	
31	RATING LABEL(72*42mm,t=0.08mm)	501-TURN5A-2719A	1	
32	NUT(M4*P0.7,3t)	601-F200-001	4	
33	SLIPMAT	604-DJ1900-073	1	
34	RUBBER FOR TRANSFORMER	604-ST150-258	4	
35	RUBBER FOR BOTTOM BASE	604-DJ5500-262	16	
36	33/45 SOFT KNOB	604-T5-613	1	
37	SIDE RUBBER	604-RP8-619	2	
38	LONG RUBBER	604-RP8-620	2	
39	SPRING WASHER (BLACK)	606-DJ3000-102	4	
40	WASHER(ϕ 8*3.2*1t,NI)	606-Q2221-122	4	

Main PCB Ass'y Part List

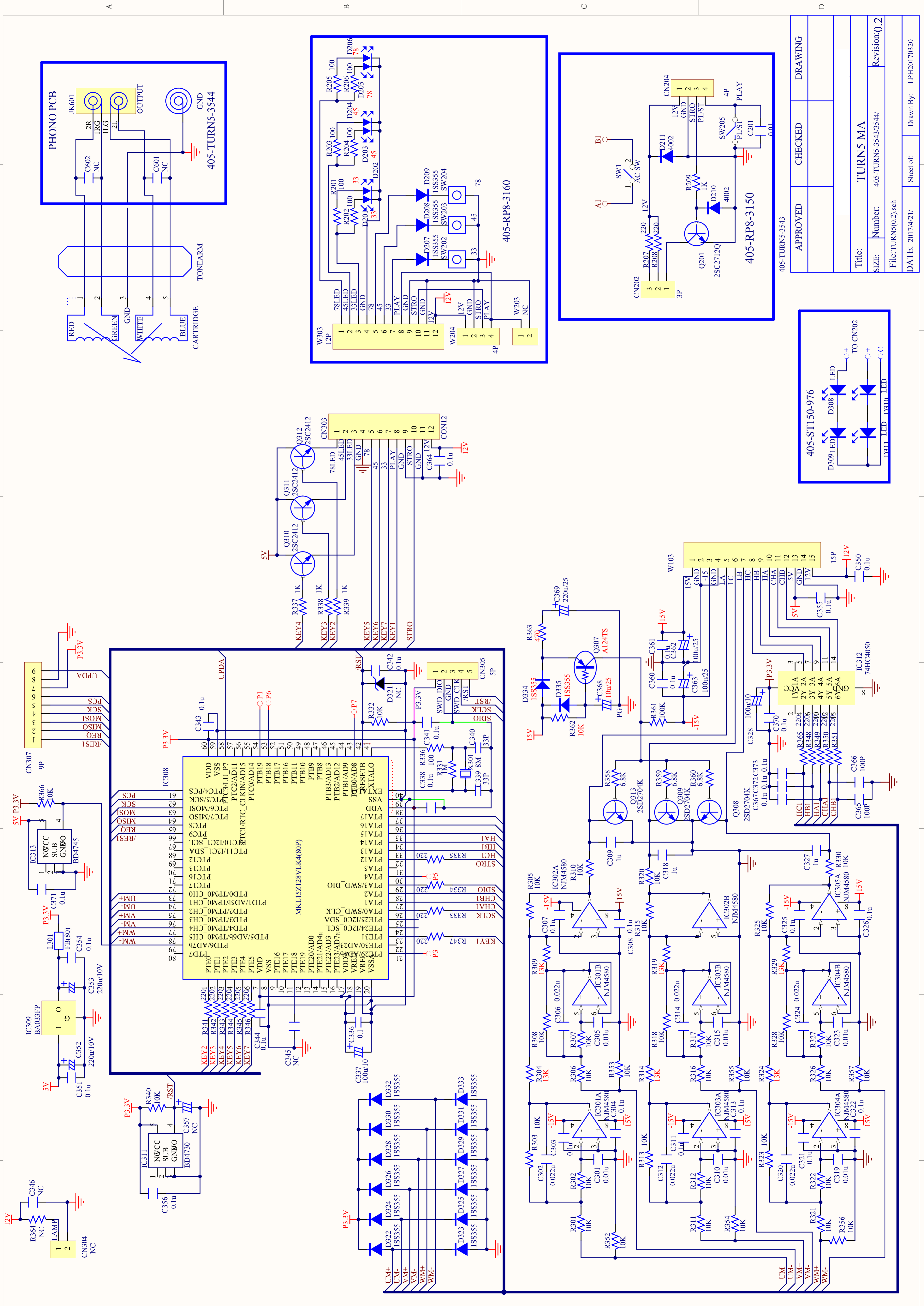
REF NO.	DESCRIPTION	PART NO.	Q'TY	REMARK
	MAIN PCB ASS'Y	704-TURN5-B702	1	
CN303,	12P SOCKET(CKM2001WR-12P 90°WHITE)	404-DJ3000-810A	1	
W103,	15P 2.0 CONNECTOR WIRE(L=70mm,AWM1007,AWG26)	404-RP8-3811	1	
CN305,	5P2.54 CONNECTOR(SHD106-A03 TYPE)(Pb,Cd)	404-T2-1705	1	
CN307,	9P2.54 CONNECTOR(SHD106-A03 TYPE)(Pb,Cd)	404-T2-1707	1	
L301,	BEAD CORE(K5B RH 3.5*7.5*0.8-T52-01,80Ω/100MHz)	415-HV3500K-090V	1	
X301,	CRYSTAL(HC-49S,8MHz,20PF/±30PPM,11.5*4.65)	427-SUB-149	1	
R304,R309,R314,R319,R324, R329,	CHIP RESISTOR(13KOHM,1/10W,F,TP 0603,50V)	412-900-981	6	
R358,R359,R360,	CHIP RESISTOR(6.8K,1/10W,J,0603,50V)	412-900-985	3	
R350,R333,R334,R335,R341, R342,R343,R344,R345,R346, R347,R348,R349,R351,R365,	CHIP RESISTOR(220 OHM,1/10W,J,0603,50V)	412-CDVD2001-521	15	
R336,	CHIP RESISTOR(100 OHM,1/10W,0603,J,TP,50V)	412-CDVD2001-530	1	
R301,R302,R303,R305,R306, R307,R308,R310,R311,R312, R313,R315,R316,R317,R318, R320,R321,R322,R323,R325, R326,R327,R328,R330,R332, R340,R352,R353,R354,R355, R356,R357,R362,R366,	CHIP RESISTOR(10K OHM,1/10W,0603,J,TP,50V)	412-CDVD2001-534	34	
R361,	CHIP RESISTOR(100K OHM,1/10W,0603 ,J,TP,50V)	412-CDVD2001-537	1	
R337,R338,R339,	CHIP RESISTOR(1K OHM,1/10W,0603,J,TP,50V)	412-CDVD2001-540	3	
R363,	CHIP RESISTOR(470 OHM,1/10W,0603,J,TP,50V)	412-CDVD2001-545	1	
R331,	CHIP RESISTOR(1M OHM,1/10W,0603,J,TP,50V)	412-CDVD2001-546	1	
JR1,JR3,JR8,JR2,JR4,JR5,JR6 ,JR7,	CHIP RESISTOR(0 OHM,1/4W,J,1206,200V)	412-DJ3000-414	8	
C309,C318,C327,	CHIP CAPACITOR(1uF/16V,Z,0603 TAP,Y5V)	413-007USB-797	3	
C339,C340,	CHIP CAPACITOR(33pF/50V,J,0603 TAP,NPO)	413-900-926	2	
C365,C366,	CHIP CAPACITOR(100pF/50V,J,0603 TAP,NPO)	413-DCM280-767	2	
C301,C305,C310,C315,C319, C323,	CHIP CAPACITOR(0.01uF/50V,K,0603 TAP,X7R)	413-DCM280-771	6	
C343,C344,C350,C351,C354, C355,C356,C360,C361,C364, C367,C370,C372,C373,C336, C371,C303,C304,C307,C308, C311,C313,C321,C322,C325, C326,C338,C341,C342,	CHIP CAPACITOR(0.1uF/50V,Z,0603 TAP,Y5V)	413-DCM280-773	29	
C302,C306,C312,C314,C320, C324,	CHIP CAPACITOR(0.022uF/50V,K,0603 TAP,X7R)	413-DCM280-794	6	
D322,D323,D324,D325,D326, D327,D328,D329,D330,D331, D332,D333,D334,D335,	SWITCHING DIODE(ISS355VM 1.7*1.25MM)	414-CD1000-075A	14	
Q308,Q309,Q313,	TRANSISTOR(2SD2704KT146,SMT3)	416-3000-378	3	
Q310,Q311,Q312,	CHIP TRANSISTOR(2SC2412KT146R)	416-CDN88-051	3	
Q307,	CHIP TRANSISTOR(DTA124TKAT146)	416-HDJ9700-210	1	
IC311,	IC(BD4730G-TR,SSOP-5)	417-200USB-931	1	
IC309,	IC(BA033FP-E2,TO-252-4)	417-CTB200-500	1	
IC313,	IC(BD4745G-TR,SMP5)	417-HDJ2000-503	1	

D.D Motor PCB Ass'y Part List

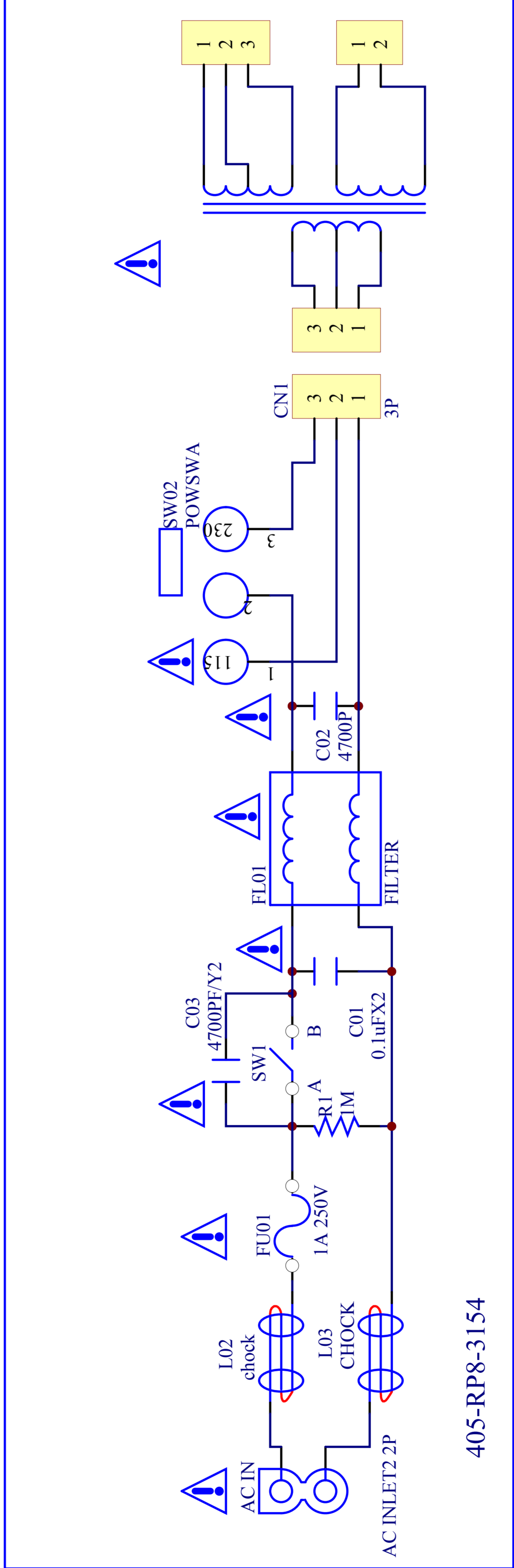
REF NO.	DESCRIPTION	PART NO.	Q'TY	REMARK
	D.D.MOTOR PCB ASS'Y	704-TURN5-B710	1	
W903,	4P2.5 CONNECTOR WIRE(L=90mm,AWM1007 AWG26)	404-DJ3000-1771	1	
CN901,	5P SOCKET(CKM2501-WV-5P,180° WHITE)	404-HV3500K-622A	1	
CN103,	15P SOCKET(CKM2001WR-15P,90°,WHITE)	404-PRO3-523	1	
	SENSOR PCB	405-RP8-3155	1	
R122,R123,R124,R146,R147, R148,	METAL OXIDE FILM RESISTOR(1 OHM,1W,T-73)	412-DJ5500-661	6	
C901,	ELEC. CAPACITOR(1000uF/25V,M, 105°C,BULK 10*20)	413-DJ1900-111	1	
C909,C910,	ELEC. CAPACITOR(2200uF/50V,M,BULK 22*25,85°C)	413-RP8-1292	2	
D901,D902,D903,D904,D905, D906,D907,D908,	DIODE(1N4002(GW)-TP/1N4002TA,1A/100V,DO-41)	414-DV300-5014	8	
Q108,	TRANSISTOR(2SB1674FU6.TD-220FN)	416-DJ5500-388	1	
Q107,	TRANSISTOR(2SD2615,TD-220FN)	416-DJ5500-389	1	
IC903,	IC(NJM7824FA,TO-220F)	417-DJ2500-268	1	
IC101,IC102,	IC(NJM2147D,DIP8)	417-DJ5500-579	2	
IC904,	IC(NJM7924FA,3PIN)	417-DJ5500-581	1	
IC905,	IC(NJM7815FA,TO-220F)	417-DV330-216	1	
IC906,	IC(NJM7915FA)	417-RCC955A-291	1	
F02,F03,	FUSE(2.5A/125V,NRT1L)	422-1300-051	2	
IC903,IC904,	HEAT SINK(AL)	425-2002-001	2	
Q107& Q108,IC905 & IC906,	HEAT SINK((AL,HW-7004))	425-ST150-064	2	
	SCREW(3*8mm TTB)	602-2002-077	6	
R105,R106,R111,R113,R118, R120,	CHIP RESISTOR(270 OHM 1/8W 0805 J TP 150V)	412-CDN88-014	6	
JR4,JR6,JR1,	CHIP RESISTOR(0 OHM,1/4W,J,1206,200V)	412-DJ3000-414	3	
R103,R110,R117,	CHIP RESISTOR((560K OHM,1/8W,J,TP 0805,150V)	412-DJ5000-520	3	
R150,R151,R152,	CHIP RESISTOR(1K OHM,1/8W, 0805,J,TP 150V)	412-DV330-305	3	
R104,R107,R112,R114,R119, R121,	CHIP RESISTOR(22K OHM,1/8W, 0805,J,TP 150V)	412-DV330-314	6	
R102,R109,R116,	CHIP RESISTOR(680 OHM,1/8W, 0805,J,TP 150V)	412-DV330-323	3	
R153,R154,R155,	CHIP RESISTOR(220 OHM,1/8W,0805,J,TP 150V)	412-DV330-333	3	
R101,R108,R115,	CHIP RESISTOR(6.8K OHM,1/8W, 0805 ,J,TP,150V)	412-HDJ2650-102	3	
C101,C102,C103,C104,C105,C106, C107,C108,C109,C139,C140,C141,	CHIP CAPACITOR(1000pF/50V,J,0805 TAP,NPO)	413-DV330-311	12	
C142,C110,C111,C112,C113,C906, C912,C914,C916,C918,C138,	CHIP CAPACITOR(0.1uF/ 50V,Z,0805 TAP,Y5V)	413-DV330-313	11	
D101,D102,D103,D104,D105,D106, D107,D108,D109,D110,D111,D112, D113,D114,D115,D116,D117,D118,	SWITCHING DIODE(ISS355VM 1.7*1.25MM)	414-CD1000-075A	18	
C905,	ELEC. CAPACITOR(100uF/10V,M,105°C ,TAPING 5*11)	413-3113-046	1	
C907,C908,C918,	METAL POLYESTER CAPACITOR(0.1uF/AC125V,K)	413-DJ3500-884	3	
C114,C115,C118,C119,C134, C135,C136,C137,C116,C117, C911,C913,	ELEC. CAPACITOR(100uF/35V,M,105°C ,TAPING 6.3*11)	413-HMD5000-356	12	
C915,C917,	ELEC. CAPACITOR(100uF/25V,M,105°C ,TAPING 6.3*11)	413-HS100-180	2	
C904,	ELEC.CAPACITOR(100uF/16V,M,105°C ,TAPING 5*11)	413-PXE90-109	1	
	D.D.MOTOR PCB	405-RP8-3147B	1	

Play & Ac & Dc PCB Ass'y Part List

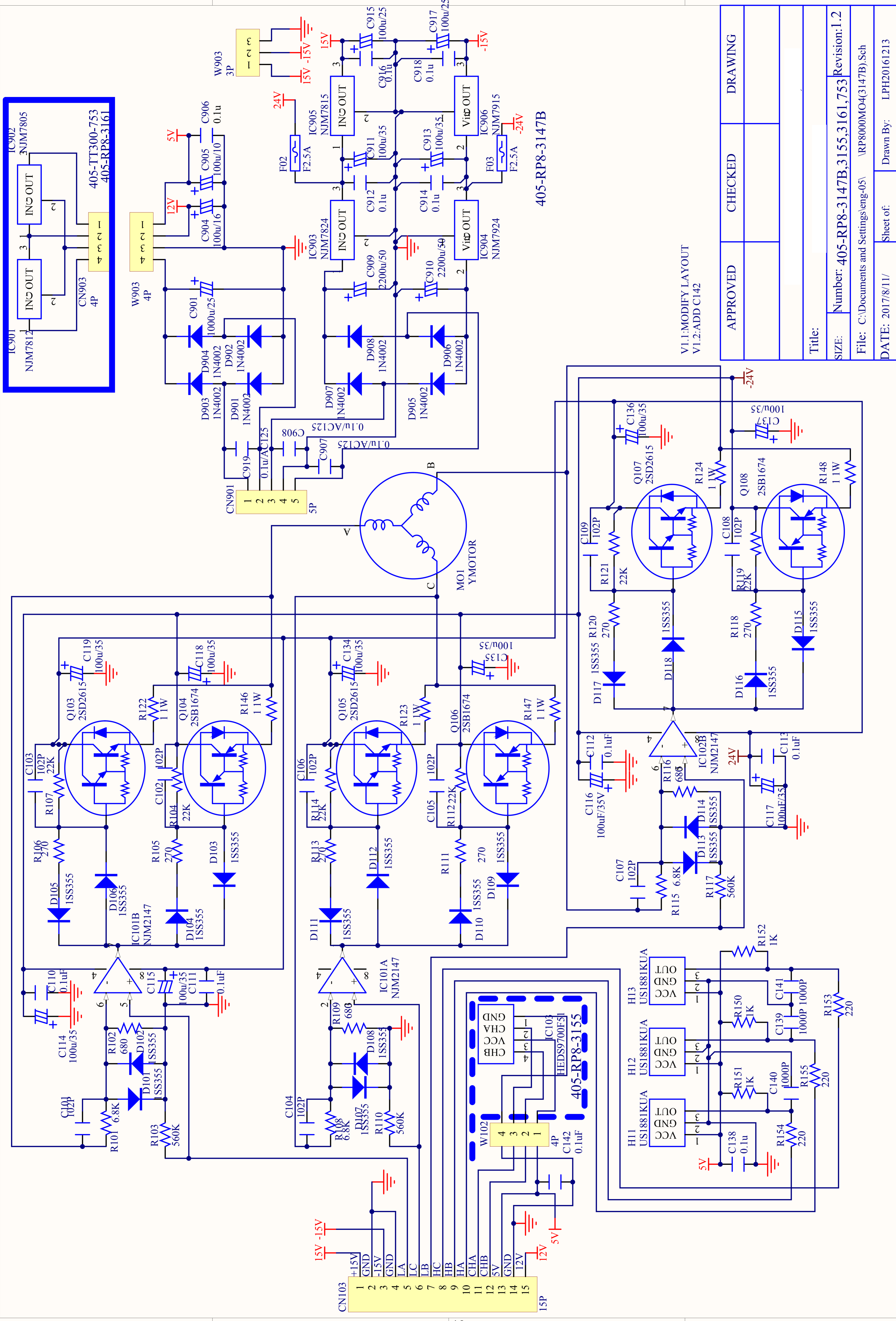
REF NO.	DESCRIPTION	PART NO.	Q'TY	REMARK
	PLAY PCB ASS'Y	704-RP7-A745	1	
SW1,	AC SW(1001121417(SM1-N6S-504C0-Z)	403-5500-472	1	
SW205,	TACT SW	403-DJ3500-134A	1	
CN204,	4P SOCKET(CKM2001WR-4P,90°WHITE)	404-DCM270E3-878A	1	
CN202,	3P SOCKET(CKM2001WR-3P 90°WHITE)	404-HMD5000-784A	1	
A1 TO A,B1 TO B,	LEAD WIRE	406-RP8-1264	2	
	CABLE TIE	504-S100-004	1	
	PLAY PCB	405-RP8-3150	1	
R207,R208,	CHIP RESISTOR(100 OHM,1/8W,J,0805,150V)	412-DV330-304	2	
R209,	CHIP RESISTOR(1K OHM,1/8W, 0805,J,TP 150V)	412-DV330-305	1	
C201,	CHIP CAPACITOR(0.01uF/50V,J,0603 TAP,NPO)	413-DCM280-889	1	
D210,D211,	CHIP DIODE(SM4002A,1A,100V,DO-214AC)	414-HDJ9700-145	2	
Q201,	TRANSISTOR(2SC2712-GR,2-3F1A)	416-CTB200-166	1	
	AC PCB ASS'Y	704-RP8-A656	1	
SW02,	SLIDE SW(L16-12F2,3PIN)	403-HDJ2000-124	1	
AC,	AC SOCKET(SO-222)	404-DJ2-021	1	
CN1,	5N3P 3.96 SOCKET(CKM3961WV-5P,180°WHITE)	404-DJ5000-1764	1	
	AC PCB	405-RP8-3154	1	
J01,	JUMPER	406-3113-175	1	
R01,	UL RESISTOR(1M OHM,1/2W,J,T52)	412-PLX-1696	1	
C02,C03,	AC SAFETY CAPACITOR(4700pF/250V,M,BULK,Y5V)	413-1431-104	2	
C01,	MEX CAPACITOR(0.1uF/250V,K,BULK)	413-PROTT1-432	1	
L02,L03,	CHOKE COIL(14*6mm,100MHZ,750ohm)	415-205-279	2	
FL01,	FILTER((ASC-1603F-G))	415-5500-387	1	
FU01,	FUSE CLIPS(FS-001)	420-KT350A-004	2	
FU01,	FUSE(1A/250V,Cd,Pb,Cr,Hg,50T010H)	422-HDJ7100-022	1	
FU01,	FUSE COVER	504-DJ2500J-046	1	
L02,L03,	HEAT-SHRINKABLE TUBE	605-HDJ201F-050	0	
	DC PCB ASS'Y	704-RP8-A648	1	
CN903A,	4P SOCKET(CKM2501WV-4P 180°WHITE)	404-HV3500K-629A	1	
	HEAT SINK PCB(EC-204V,1.6mm,120*104)	405-RP8-3161	1	
	DC PCB(BARE,94VO,98*116.7*1.6t)	405-TT300-753	1	
IC902,	IC(NJM7812FA 3PIN TO-220F)	417-BJ1900L-231	1	
IC901,	IC(NJM7805FA,TO-220F)	417-KC730-123	1	
	HEAT SINK(AL)	425-DJ3000-023	1	
	NUT(M3*P0.5, Cd,Pb,Hg)	601-A100-004	2	
	SCREW(M3*10)	602-DJ1900-148	2	
	SCREW(TTB,DIA3*7)	602-DJ3000-274	2	



APPROVED	CHECKED	DRAWING
405-TURNS-3543		
Title: TURNS MA		
SIZE: Number: 405-TURNS-3543/3544/		
Revision: 0.2		
File: TURNS(02).sch		
DATE: 2017/4/21/	Sheet of: LPH20170320	Drawn By:



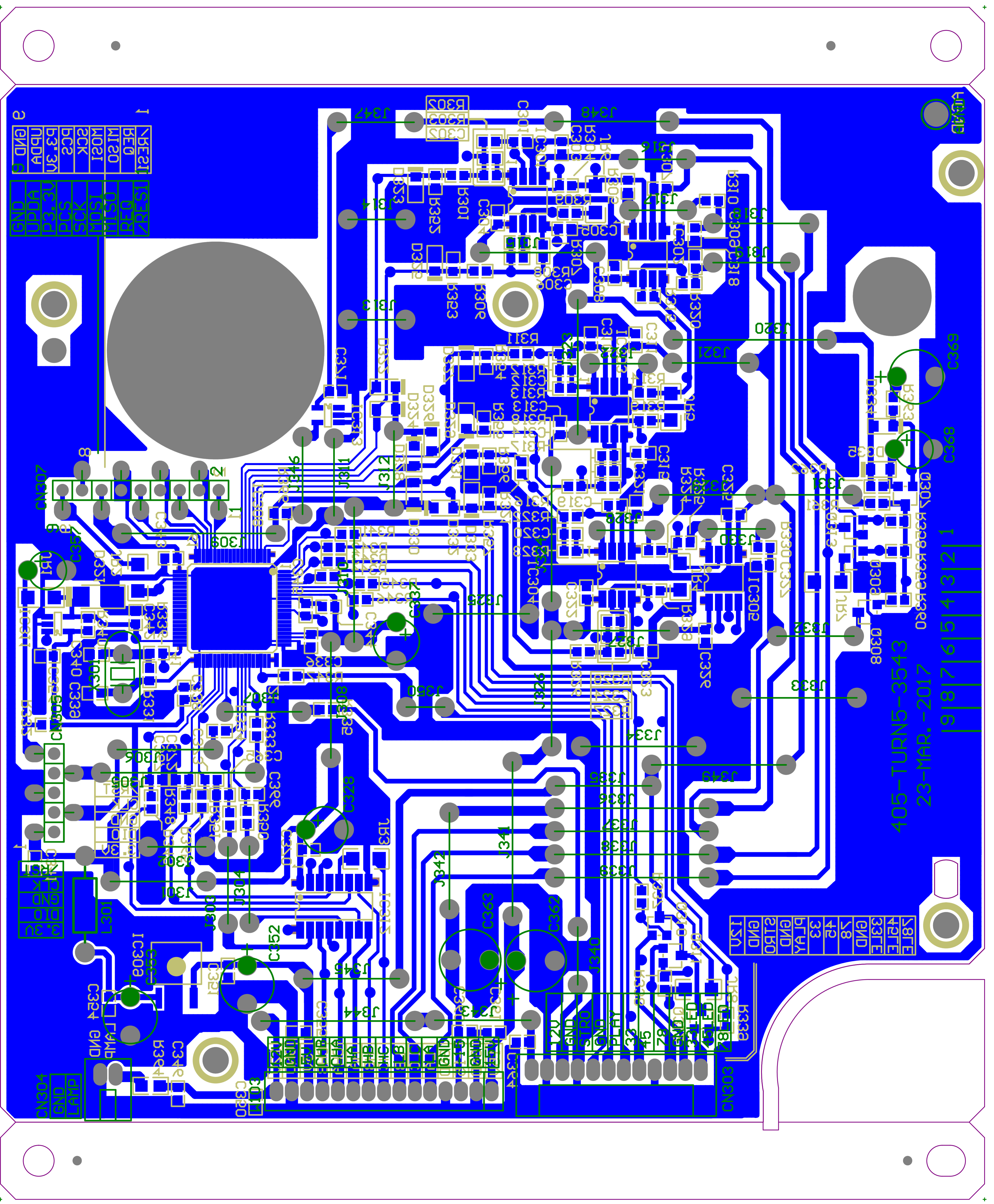
APPROVED	CHECKED	DRAWING
Title: AC SCH		
SIZE:	Number: 405-RP8-3154	Revision: 1
File: \\Fileserver\SZ-ENGINEER\VTN \2013\RP-2060,8000,7000.1000\RP8		
DATE: 2013/9/24	Sheet of:	Drawn By: LPH20130911



V1.1:MODIFY LAYOUT
V1.2:ADD C142

APPROVED	CHECKED	DRAWING
Title:		
Size: Number: 405-RP8-3147B,3155,3161,753 Revision:1.2		
File: C:\Documents and Settings\leng-05\ \RP8000MO4(3147B).Sch		
DATE: 2017/8/11/	Sheet of:	Drawn By: LPH20161213

405-TURN5-3543
 MAIN PCB



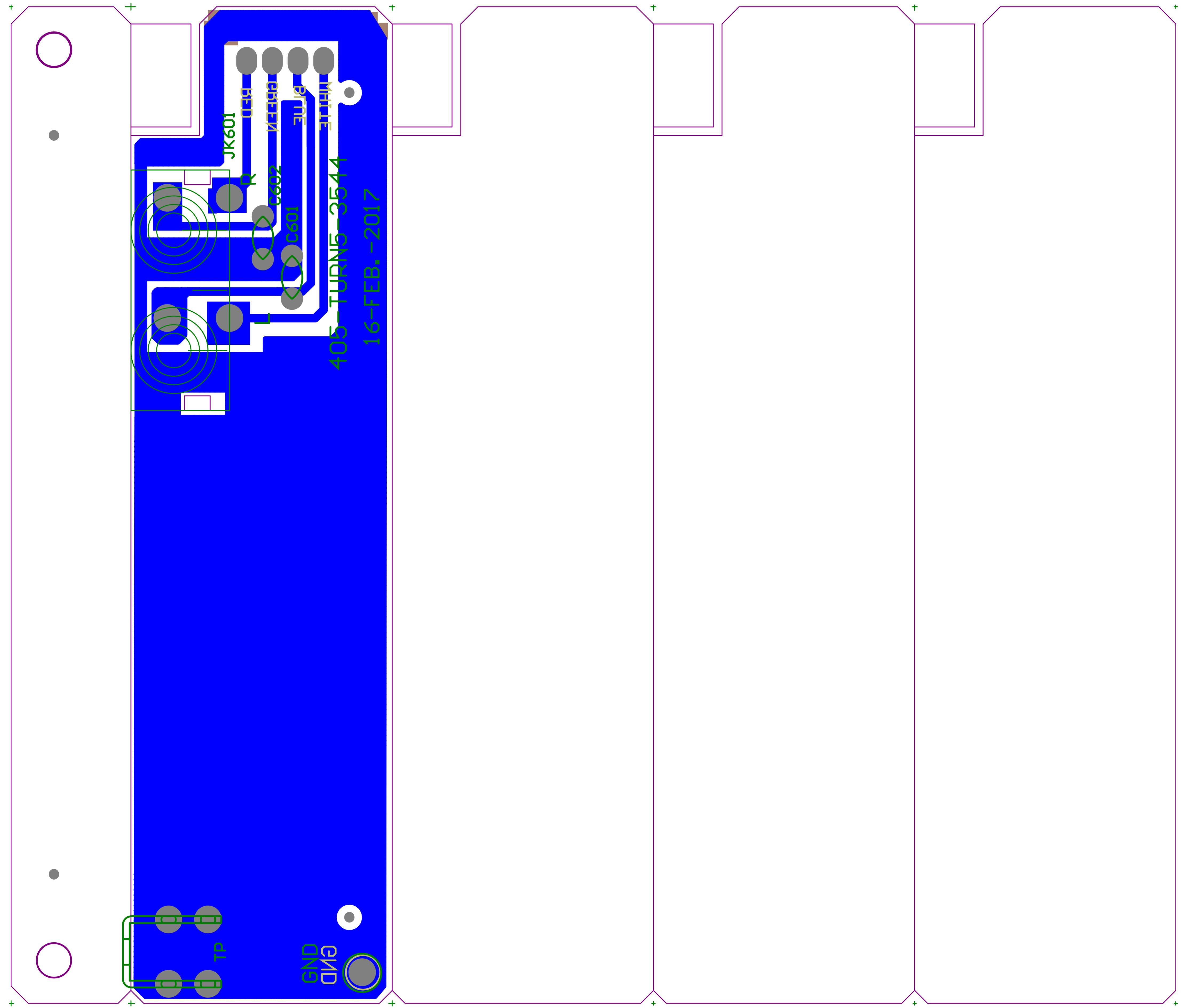
1	REF21	LS307
	REF0	0307
	MI20	0314
	K021	0304
	ECK	235
	FC2	330
	FC3	330
	ADDA	100
	GND	GND

78TE	42TE
33TE	42
GND	58
BLAY	33
GND	33
21B0	33
GND	33
15A	33

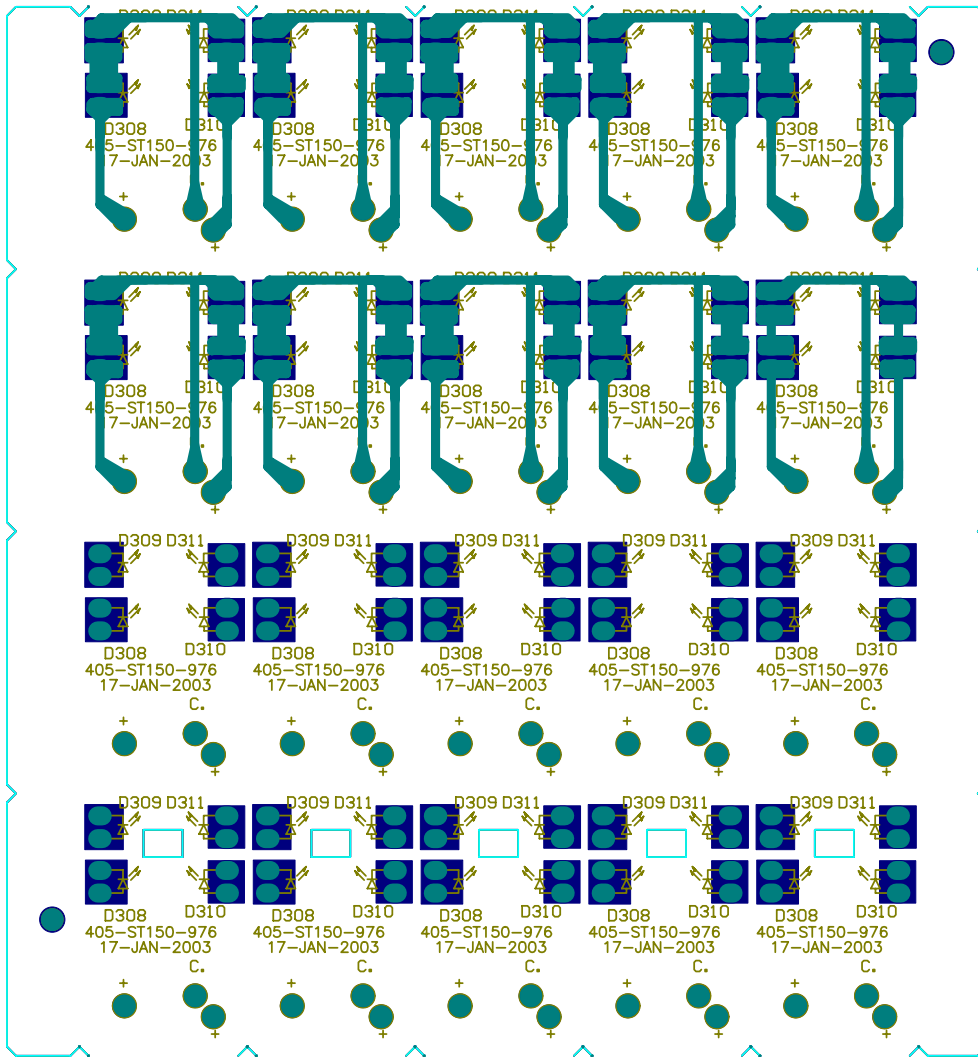
405-TURN5-3543
 23-MAR.-2017

1 2 3 4 5 6 7 8 9

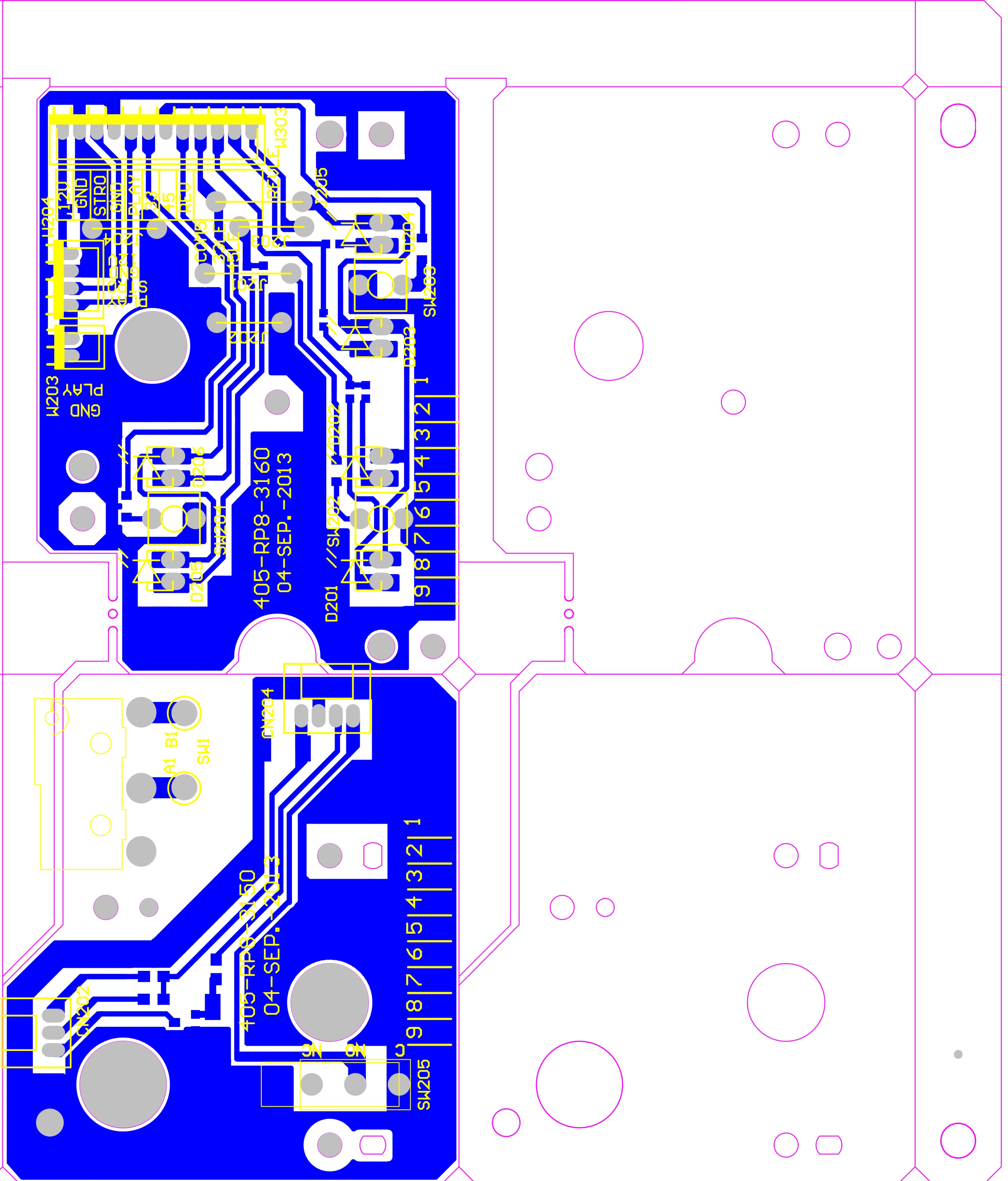
405-TURN5-3544
OUTPUT PCB



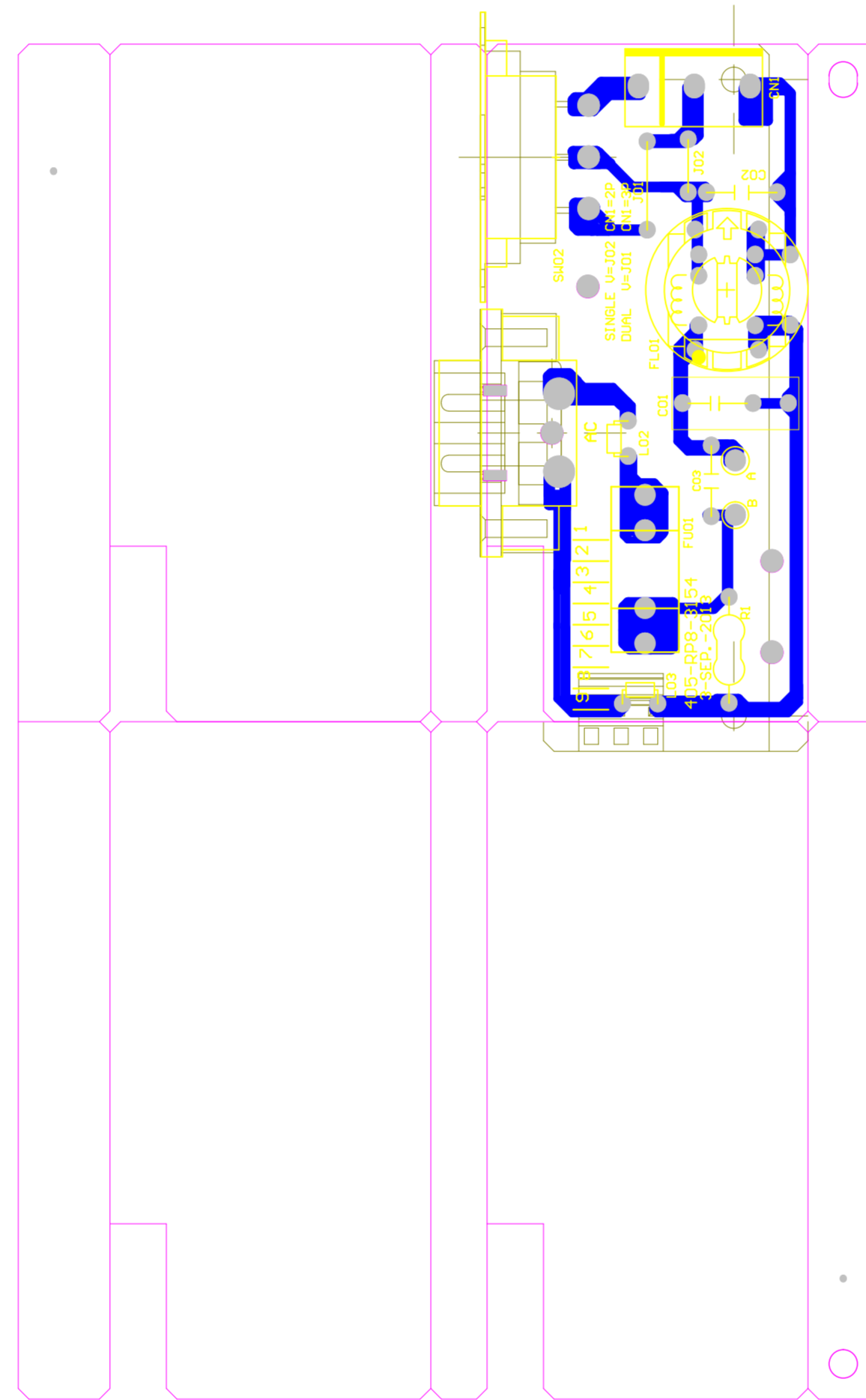
405-ST150-976□
LED PCB



405-RP8-3150/3160
 PLAY/33/45ROTATIONAL SPEED PCB



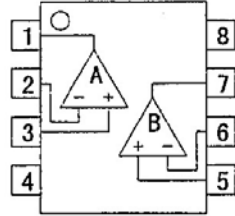
405-RP8-3154
AC PCB



405-TT300-753 □
DC PCB



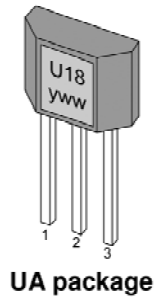
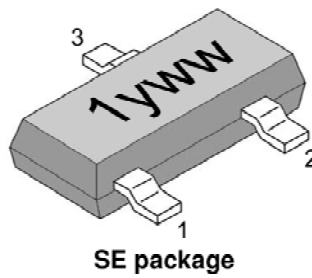
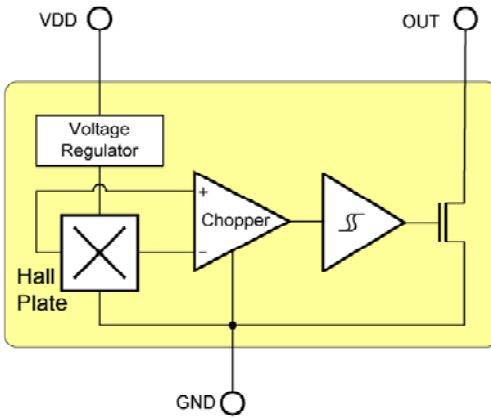
417-DJ5500-579
NJM2147D



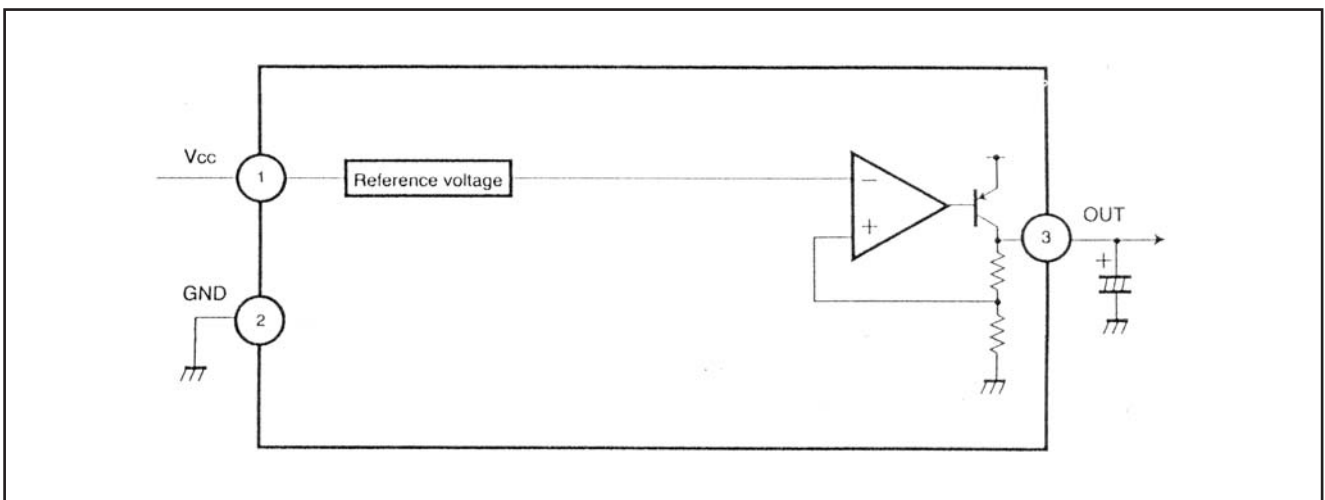
PIN FUNCTION

1. A OUTPUT
2. A -INPUT
3. A +INPUT
4. V⁻
5. B +INPUT
6. B -INPUT
7. B OUTPUT
8. V⁺

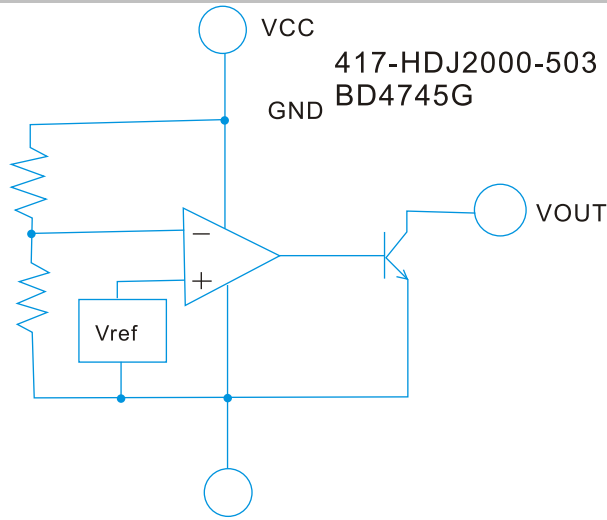
417-DJ5500-580 US1881KUA



417-CTB200-500 IC(BA033FP-E2,TO-252-3)

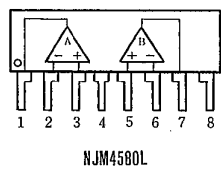
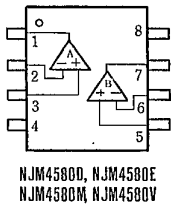


IC Block Diagram



417-ST150-599 NJM-4580M-TE2,SOP-8

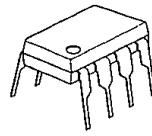
PIN CONFIGURATION



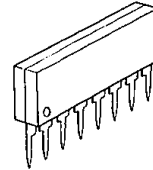
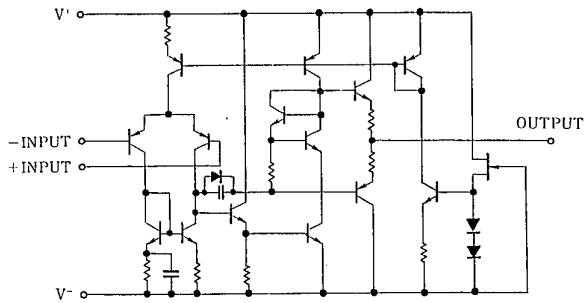
PIN FUNCTION

- 1. A OUTPUT
- 2. A -INPUT
- 3. A +INPUT
- 4. V⁻
- 5. B +INPUT
- 6. B -INPUT
- 7. B OUTPUT
- 8. V⁺

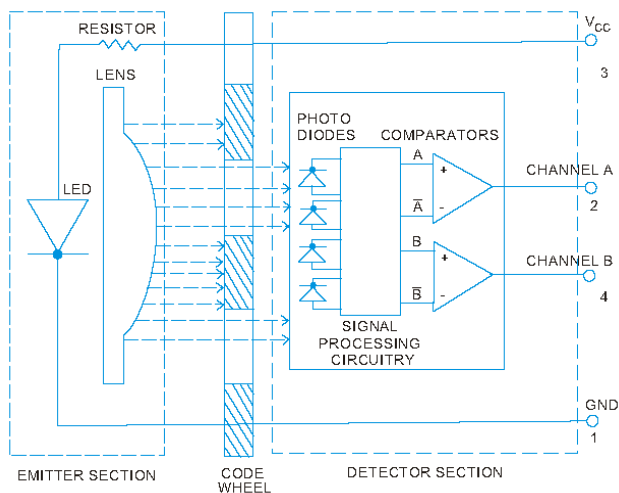
PACKAGE OUTLINE

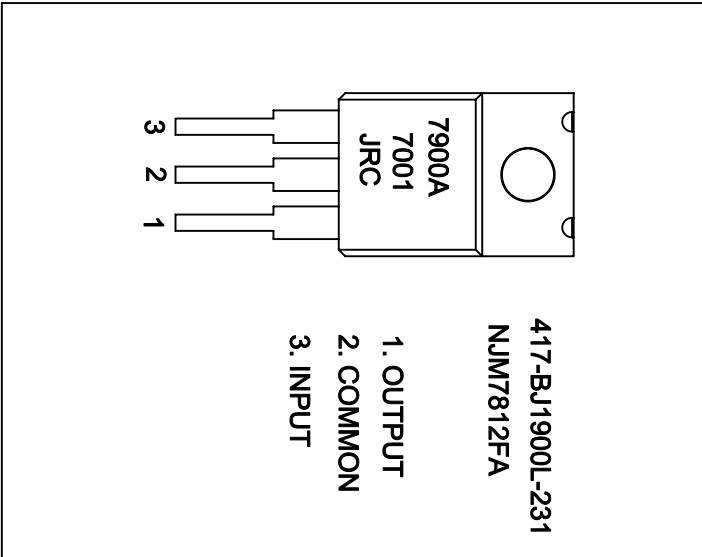
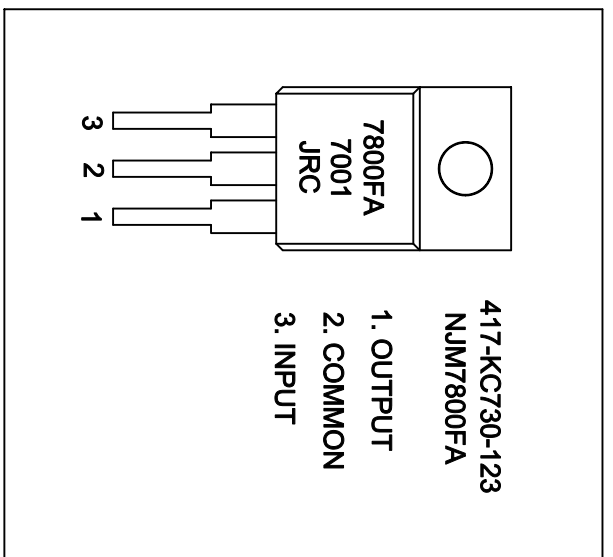
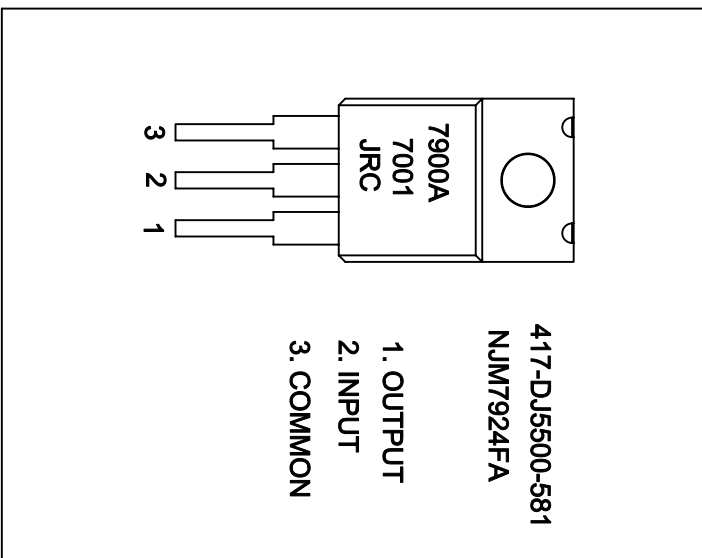
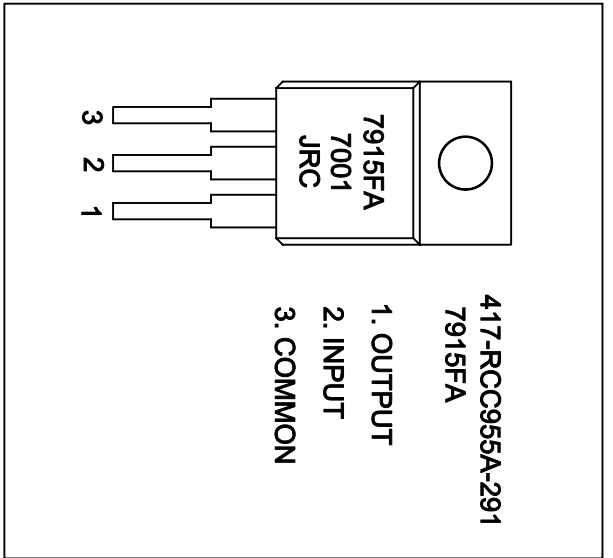
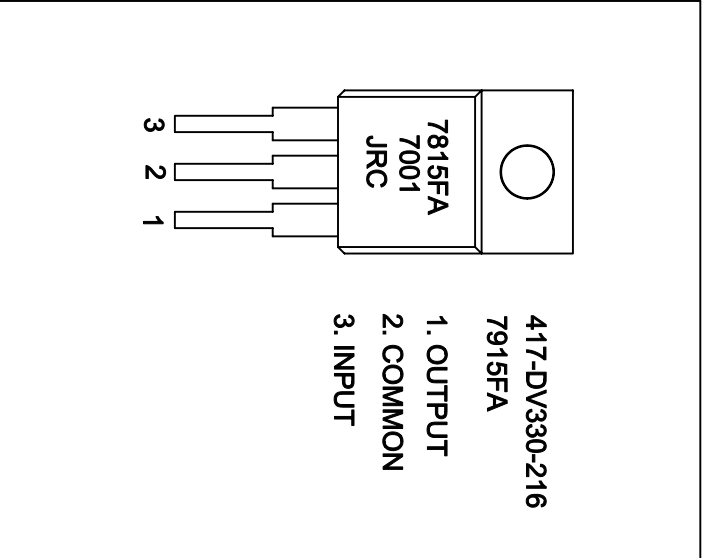
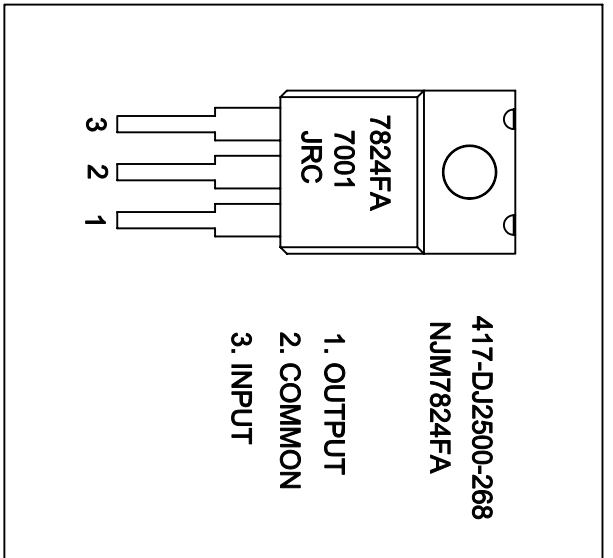


EQUIVALENT CIRCUIT (1/2 Shown)



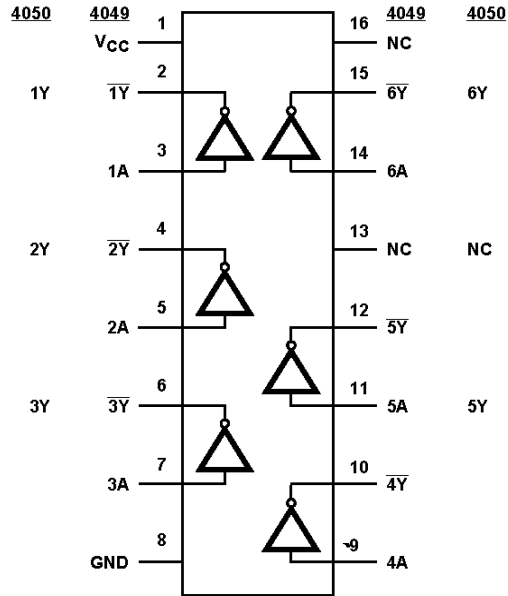
417-PS2-504 HEDS-9700#F51



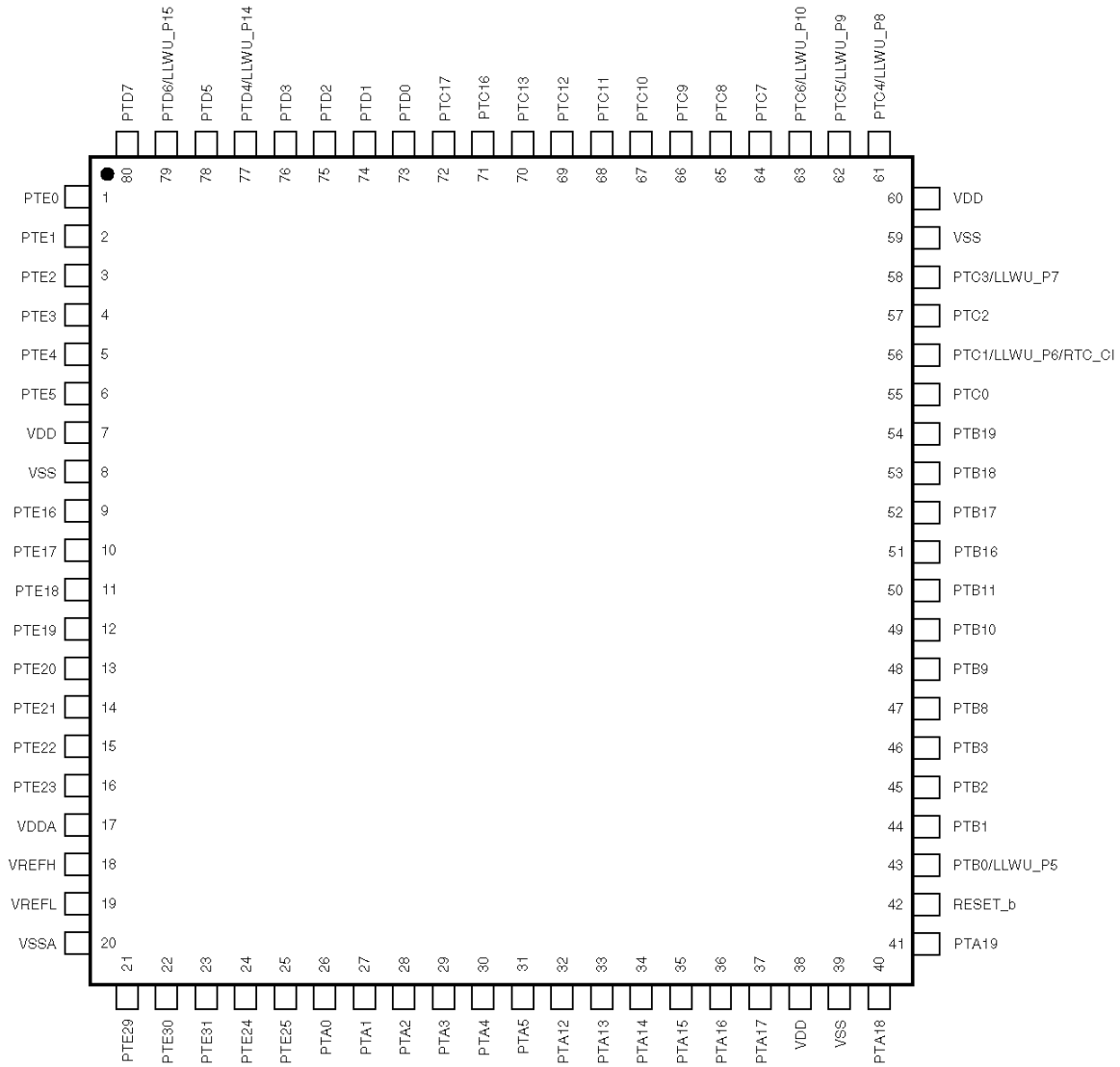


417-IQ2UM-970A IC(CD74HC4050M96,SOIC-16)

Functional Diagram



417-SR-1102 IC(MKL15Z128VLK4,LQFP-80)



417-200USB-931 IC(BD4730G-TR,SSOP-5)

