



THUMP 210

10" 1400W POWERED LOUDSPEAKER

SPEC SHEET



WELCOME

Introduction

Mackie Thump210 is a compact 10" 1400W powered loudspeaker featuring proven sound quality, Feedback Eliminator and Music Ducking mode.

Connect to the built-in 2-channel mixer with XLR/TRS combo and stereo 1/8" aux connections, and enjoy powerful amplification via the 1" compression driver and 10" high-performance woofer.

There's also a useful thru output that mixes both inputs, great for connecting to other elements of your rig.

Works equally well as a wedge speaker on the floor or elevated PA speaker mounted on a pole.

Lightweight and Built-Like-A-Tank™, Thump210 is the ultimate compact loudspeaker for mobile PA systems, DJs, bars and more.

If you have any questions or comments about this Spec Sheet (or other Mackie documentation), please don't hesitate to contact us:

- 1-800-898-3211 (Monday through Friday, normal business hours, Pacific Time)
- www.mackie.com/support-contact

Features

- 1400W ultra-efficient Class-D amplifier
- Built-Like-A-Tank™ to conquer every gig while lightweight for easy loading
- Frequency Range (-10 dB): 52 Hz – 23 kHz
- Maximum SPL Peak: 127 dB
- Flexible I/O
- 1 features an XLR/TRS input that accepts mic or line signals
- 2 features an XLR/TRS line input plus stereo 1/8" input
- Thru output contains audio from both input channels
- 10" high-performance woofer
- 1" compression driver
- Built-in Feedback Eliminator reduces squeals and out of control rumble
- Music Ducking mode automatically reduces the level of Ch.2 when Ch.1 receives signal
- Standard pole mount
- Monitor wedge provides optimal angle for use as a floor monitor
- Universal Power Supply (100-240VAC)
- Size (H x W x D): 22.4 x 13.0 x 12.8 in / 569 x 330 x 325 mm
- Weight: 25.4 lb / 11.5 kg

Applications

Singer-songwriters, announcement PA, karaoke, clubs / cafés, houses of worship, schools, small restaurants, outdoor events / barbecues, banquet halls, conference rooms, boardrooms, and many, many more.

TECHNICAL INFORMATION

Specifications

Acoustic Performance

Frequency Response (-10 dB): 52 Hz - 23 kHz
Frequency Response (-3 dB): 59 Hz - 23 kHz

Horizontal Coverage: 90°
Vertical Coverage: 60°

Maximum SPL Peak: 127 dB

Monitor Angle: 40°

Transducers

Low Frequency: 10 in / 254 mm woofer with ferrite

High Frequency: 1.0 in / 25 mm polymer compression driver

Power Amplifiers

System Power Amplification

Rated Power: 1400 watts peak

Low Frequency Power Amplifier

Rated Power: 1200 watts peak

Rated THD: <1%

Cooling: Convection

Design: Class D

High Frequency Power Amplifier

Rated Power: 200 watts peak

Rated THD: <1%

Cooling: Convection

Design: Class D

SPECIFICATIONS CONTINUED

Input / Output

Input Type: 2x Female XLR – 1/4" Balanced TRS combo jack and 1/8" TRS

Mic/Line Impedance 10 k Ω Balanced

1/8" Line Impedance 10 k Ω Balanced

Thru Out Male XLR Balanced

Thru Out Impedance 300 Ω Balanced

Electronic Crossover

Crossover Frequency 2.1 kHz

Line Input Power

Detachable line cord 100–240V~, 50–60 Hz, 75W

AC Connector 3-pin IEC 250 VAC, 10 A male

Power Supply Type Switchmode

Safety Features

Input Protection Peak and RMS limiting, power supply and amplifier thermal protection

Feedback Eliminator On / Off

Display LED Rear panel signal / overload

Mounting Methods

Floor mount, pole mount via the built-in socket on the bottom of the cabinet [Be sure the pole is capable of supporting the weight of the loudspeaker]. There are no rigging points and they are NOT suitable for rigging. Do not suspend a Thump loudspeaker by its handles. See the owner's manual for more information.

Options

Thump210 Speaker Bag P/N 2057761

T100 Loudspeaker Tripod Stand P/N 2052464

SPM400 M20 Threaded Loudspeaker Pole Mount P/N 2051055

SPECIFICATIONS CONTINUED

Physical Properties (Product)

Height:	22.4 in // 569 mm
Width:	13.0 in // 330 mm
Depth:	12.8 in // 325 mm
Weight:	25.4 lb // 11.5 kg

Physical Properties (Packaged Product)

Height:	25.0 in // 635 mm
Width:	15.2 in // 386 mm
Depth:	15.2 in // 386 mm
Weight:	30.0 lb // 13.6 kg

Ordering Information

THUMP210 – 10" 1400W Compact Powered Loudspeaker

US	2057235-00 (US)
EU	2057235-01 (EU)
UK	2057235-03 (UK)
AU	2057235-04 (AU)
CN	2057235-05 (CN)
BZ ~120V	2057235-06 (BZ ~120V)
AR	2057235-07 (AR)
KR	2057235-08 (KR)

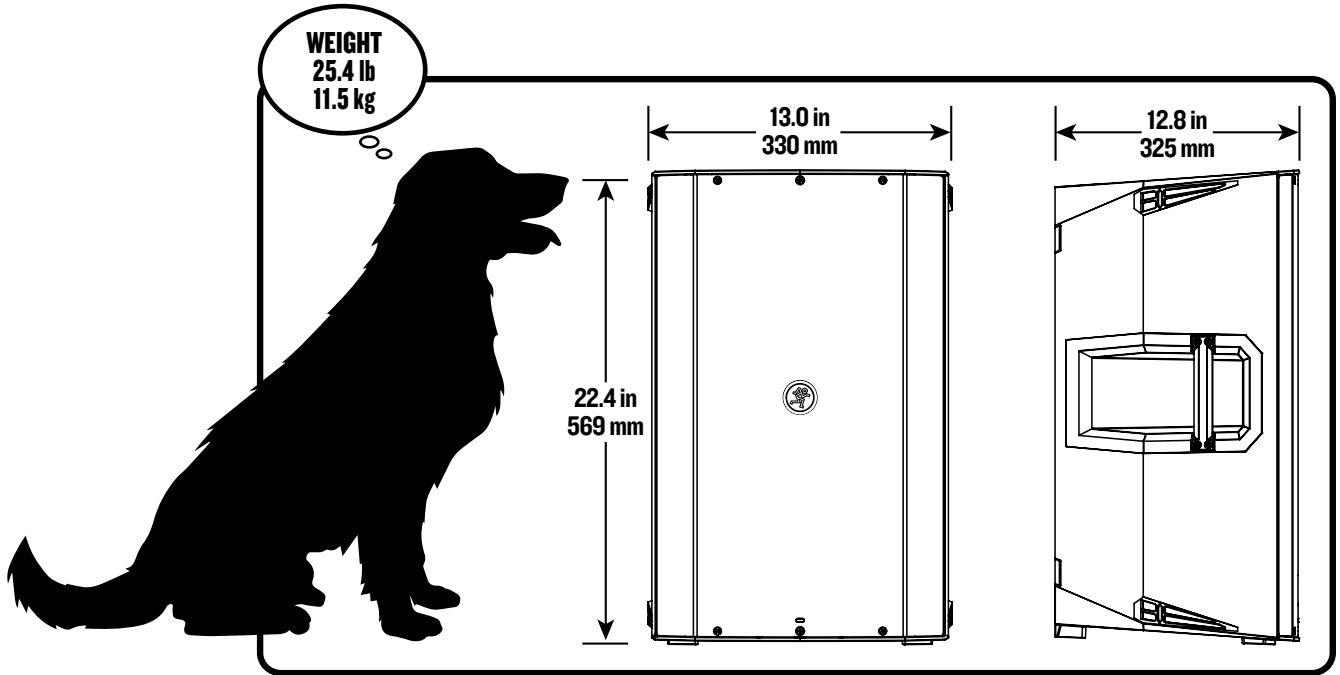
About

Part Number, Rev and Date:..... SW1467, Rev A, August 2024

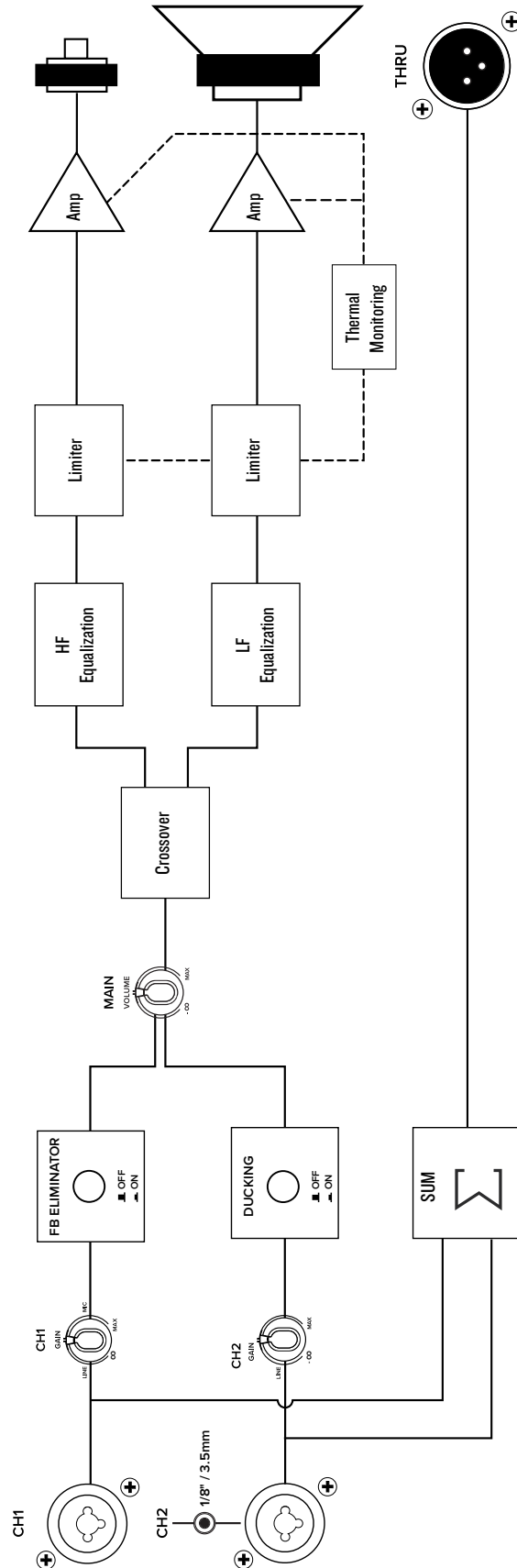
LOUD Audio, LLC. is always striving to improve our products by incorporating new and improved materials, components, and manufacturing methods. Therefore, we reserve the right to change these specifications at any time without notice. The "Running Man" is a registered trademark of LOUD Audio, LLC. All other brand names mentioned are trademarks or registered trademarks of their respective holders, and are hereby acknowledged.

Please check our website for any updates to this Owner's Manual: www.mackie.com.
©2024 LOUD Audio, LLC. All right All right All rights reserved.

THUMP210 DIMENSIONS



THUMP210 BLOCK DIAGRAM



THUMP210 REAR PANEL





19820 North Creek Parkway #201, Bothell, WA 98011 • USA
Phone: 425.487.4333 • Toll-free: 800.898.3211
Fax: 425.487.4337 • www.mackie.com

